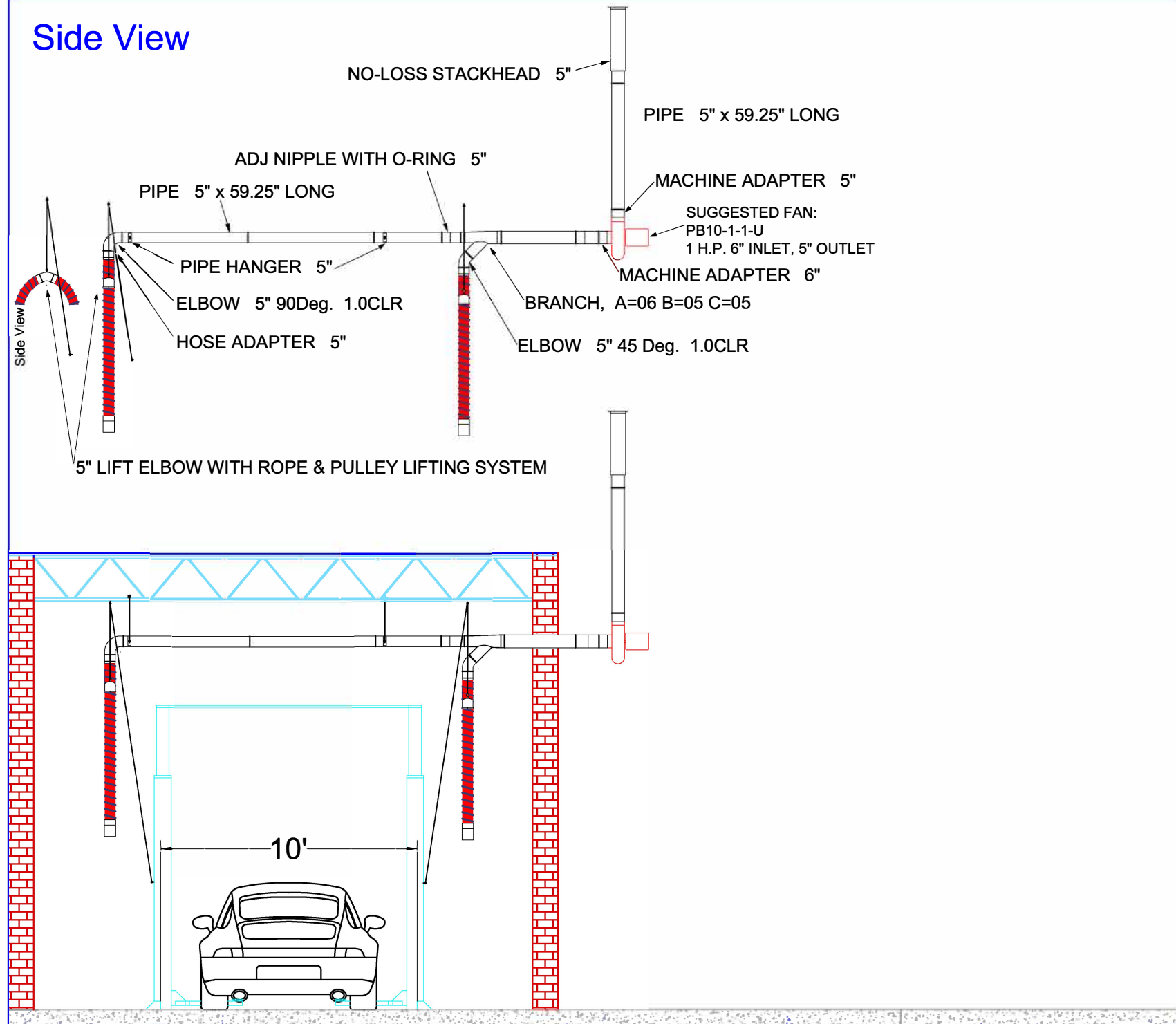


# Side View



Air Cleaning Specialists Inc.  
 11088 Gravois Ind. Ct.  
 St. Louis MO 63128  
 636-349-4400  
 636-349-0556 Fax

REF. NUMBER  
 12-0905-5-2  
 REVISIONS

0

SHEET NAME  
 DETAIL  
**FUME-A-VENT**  
 EXHAUST REMOVAL SYSTEMS  
A division of Air-Cleaning Specialists, Inc.

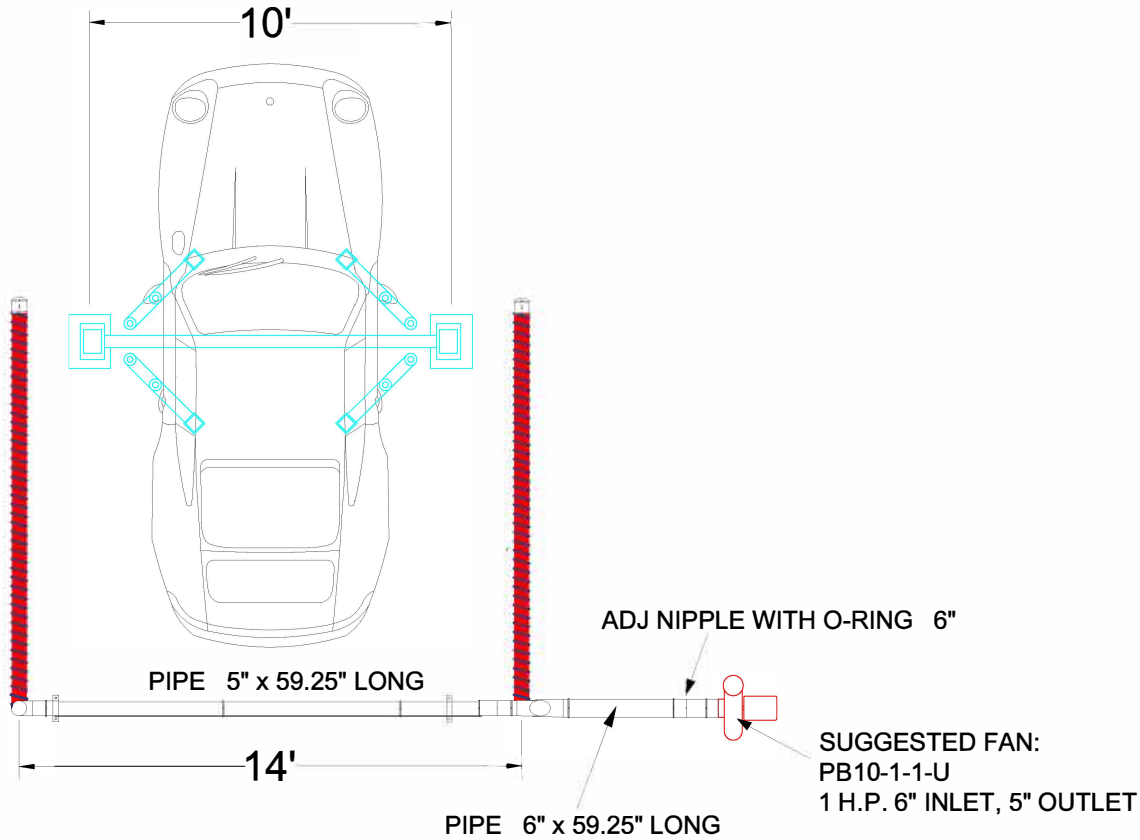
DRAWING FOR:  
 GENERIC 5"  
 DUCT SYSTEM  
 2 DROP

DRAWN: CODY BINGAMAN  
 CHECKED: JIM GRAYEM

PROJECT NAME  
 SIMPLE DROP

DATE 1/29/14	VIEW SIDE
SIZE A	DWG NO. 1
REV. 0	

# Plan View



THIS IS A CONCEPT DRAWING.  
ALL EQUIPMENT LOCATIONS ARE  
APPROXIMATE & SUBJECT TO CHANGE.

THIS PRINT IS THE PROPERTY OF  
AIR CLEANING SPECIALISTS, INC.  
826 HORAN DRIVE  
FENTON, MO 63026  
636 349-4400  
AND IS ON LOAN TO THE RECIPIENT  
SUBJECT TO RETURN UPON DEMAND.  
IT'S CONTENTS ARE CONFIDENTIAL  
AND MUST NOT BE COPIED OR SUB-  
MITTED TO OUTSIDE PARTIES FOR  
USE OR EXAMINATION.

## AIR CLEANING SPECIALISTS, INC.

Fume-A-Vent 2 Drop 5" Simple Drop System  
with Quick-Fit Clamp-together Duct System  
Ref Nordfab Quote No 12-0901 5" x 2 Drops

FAV-NF-2D5



Air Cleaning Specialists  
Inc.  
11088 Gravoos Ind. Ct.  
St. Louis MO 63128  
636-349-4400  
636-349-0556 Fax

REF. NUMBER

12-0905-5-2

REVISIONS

0

SHEET NAME

DETAIL



DRAWING FOR:  
GENERIC 5"  
DUCT SYSTEMS  
2 DROP

DRAWN: CODY BINGAMAN

CHECKED: JIM GRAYEM

PROJECT NAME  
SIMPLE DROP

DATE  
1

VIEW  
TOP

SIZE	DWG NO.	REV.
A	1	0



# QUICK-FIT



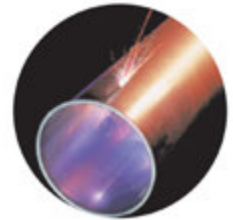
## THE WORLD'S FASTEST DUCTING

### Q-F puts the squeeze on costly conventional duct installation.

Q-F is a snap! No complicated cutting, no riveting, no braising or welding are required. One Q-F clamp connects sections together in seconds. Branches, diverters, elbows - all adapt easily to your existing duct and may be taken apart and re-used or cleaned without special tools.

### Q-F is easy to install, easy to align, and it's strong!

Q-F clamps are so easy to install, they almost install themselves. Simply place the clamp over the Q-F rolled lip ends and snap! The extraordinary strength of Q-F's specially machined double rolled lips provides a solid, straight run. The patented Q-F clamp connects the rolled ends. Snap the Q-F clamp and you have the strongest, safest, most re-usable dust-extraction piping available today. No special instructions or skills are needed to assemble a Q-F system. Install new lines, clean out lines or make changes to existing duct runs anytime you need to with Q-F.



LASER WELDED SEAM

### Q-F adapts to your every need; connect to the old or bring in the new.

Q-F has everything you need in galvanized or stainless steel parts:

- \* **LASER WELDED** pipe in diameters from 3" to 24"
- \* Branch fitting in all sizes and shapes
- \* Elbows 30°, 45°, 60°, 90°
- \* Larger custom sizes and special adapters
- \* Blast Gates, Diverter Valves, Hoods, Manifolds.

### Q-F adjusts to fit - without complicated measurements.

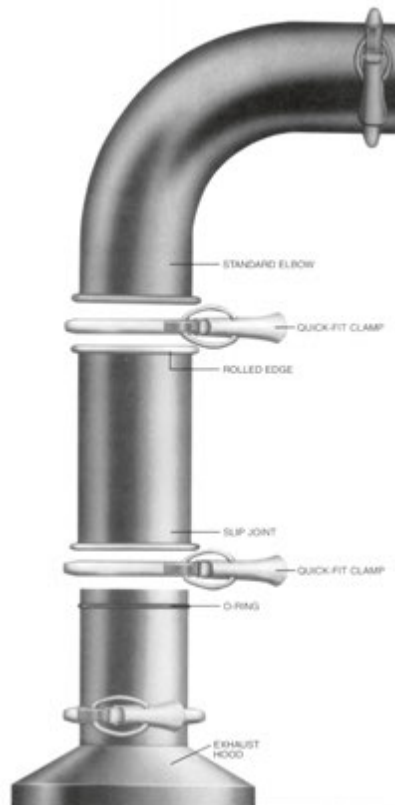
Planning to add, remove, or replace dust-extraction piping? Q-F's adjustable fitting slide together to create the precise length. No need for time wasted on exact measuring and precision cuts. Simply slide on and fit to your desired length, a few inches or a few feet. Need a different length for a new run? Just re-use your Q-F components and re-fit again reducing your cutting and fabricating time.

### Q-F saves you time and money.

Just how much money can you save using Q-F? Call us! You will be pleased with the savings and all the built-in advantages you get with Q-F.

Whether you need just a few parts, or help with a complete system, Q-F has 4 to 5 day lead time.

**Call for a free sample.**



Air Cleaning Specialists Inc.  
11088 Gravois Industrial Ct.  
St. Louis MO 63128  
Toll Free: 800-878-5030  
Fax: 636-349-0556  
[www.ductingsystems.com](http://www.ductingsystems.com)

