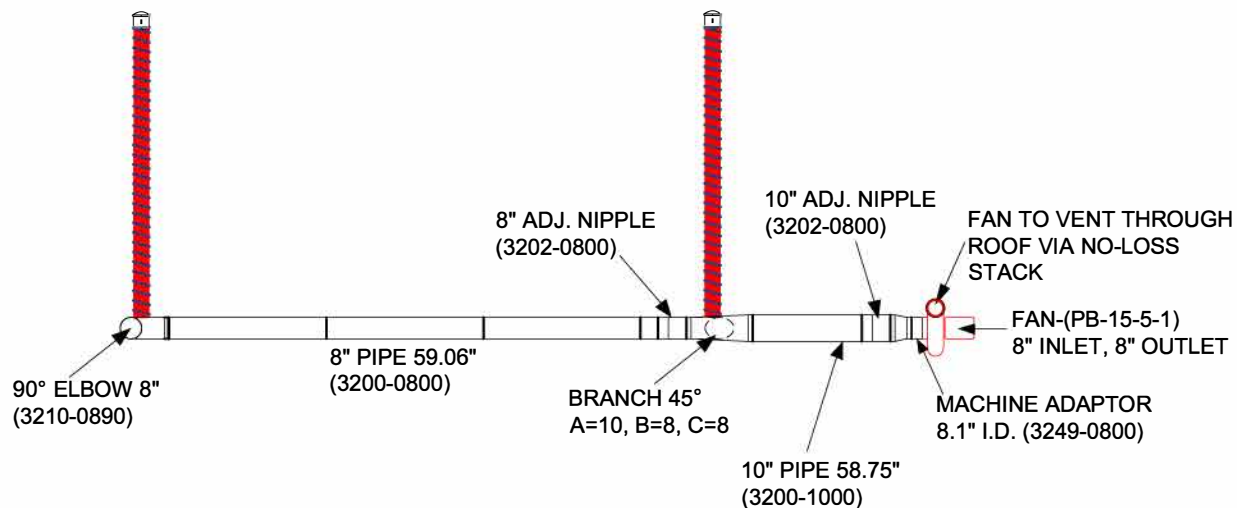




Air Cleaning Specialists Inc.
 11088 Gravois Ind. Ct.
 St. Louis MO 63128
 636-349-4400
 636-349-0556 Fax

PLAN/TOP VIEW



- HOSE AND PULLEY SYSTEM NOT INCLUDED
- FANS ARE NOT INCLUDED IN DUCTING QUOTE
- FANS ARE MADE TO ORDER
- FAN TO BE MOUNTED BY CUSTOMER PREFERENCE
- CONCEPT DRAWING ONLY, LOCATIONS APPROXIMATE

THIS PRINT IS THE PROPERTY OF AIR CLEANING SPECIALISTS, INC. 826 HIRAN DRIVE FENTON, MD 63026 636 349-4400 AND IS ON LOAN TO THE RECIPIENT SUBJECT TO RETURN UPON DEMAND. IT'S CONTENTS ARE CONFIDENTIAL AND MUST NOT BE COPIED OR SUBMITTED TO OUTSIDE PARTIES FOR USE OR EXAMINATION.

AIR CLEANING SPECIALISTS INC.

Fume-A-Vent 2 Drop 8" Duct System with Quick-Fit Clamp-Together Ducting Ref Nordfab Quote No 12-1030-8" x 2 Drops

PART # FAV-NF-2D8

REVISIONS

SHEET NAME
 DETAIL



DRAWING TITLE
 8 INCH-
 2 DROP
 DUCTING

DRAWN: CODY BINGAMAN

CHECKED: JIM GRAYEM

PROJECT NAME
 OVERHEAD

DATE 10/31/12 VIEW PLAN

SIZE DWG NO. REV.
 A 1 0

SCALE: 1:1 WEIGHT: 1 SHEET 1 OF 1



Air Cleaning Specialists Inc.
 11088 Gravois Ind., Ct.
 St. Louis MO 63128
 636-349-4400
 636-349-0556 Fax

REVISIONS

NO.	DESCRIPTION

SHEET NAME
 DETAIL

FUME-A-VENT
 EXHAUST REMOVAL SYSTEMS
A Division of Air Cleaning Specialists, Inc.

DRAWING TITLE
 8 INCH-
 2 DRDP
 DUCTING

DRAWN: CODY BINGAMAN

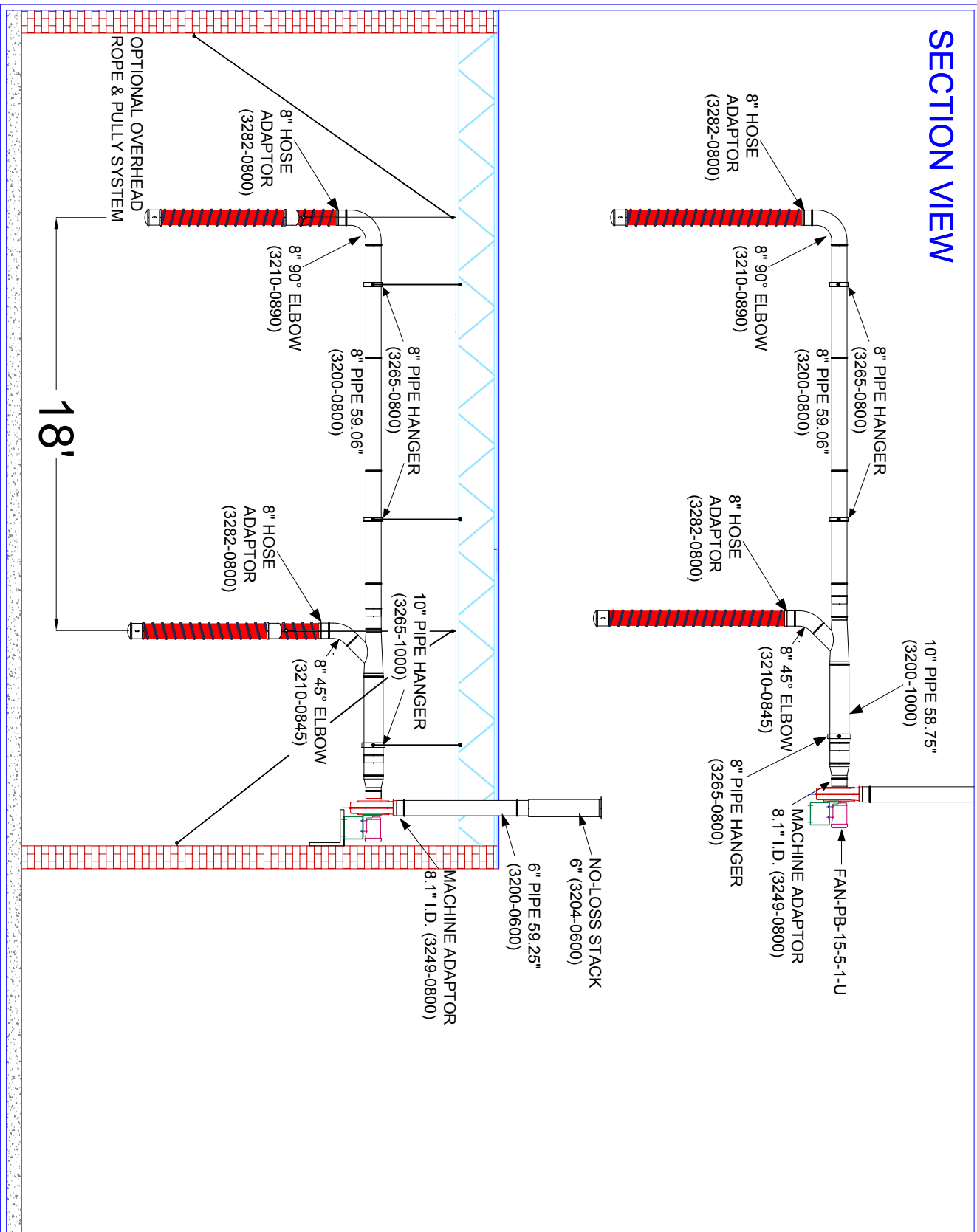
CHECKED: JIM GRAYEM

PROJECT NAME
 OVERHEAD

DATE	VIEW
10/31/12	SIDE
SIZE	DWG NO.
A	1
	REV.
	0

SCALE: 1/8" = 1'-0" WEIGHT: 1 SHEET 1 OF 1

SECTION VIEW





QUICK-FIT



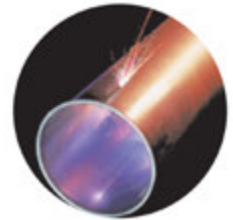
THE WORLD'S FASTEST DUCTING

Q-F puts the squeeze on costly conventional duct installation.

Q-F is a snap! No complicated cutting, no riveting, no braising or welding are required. One Q-F clamp connects sections together in seconds. Branches, diverters, elbows - all adapt easily to your existing duct and may be taken apart and re-used or cleaned without special tools.

Q-F is easy to install, easy to align, and it's strong!

Q-F clamps are so easy to install, they almost install themselves. Simply place the clamp over the Q-F rolled lip ends and snap! The extraordinary strength of Q-F's specially machined double rolled lips provides a solid, straight run. The patented Q-F clamp connects the rolled ends. Snap the Q-F clamp and you have the strongest, safest, most re-usable dust-extraction piping available today. No special instructions or skills are needed to assemble a Q-F system. Install new lines, clean out lines or make changes to existing duct runs anytime you need to with Q-F.



LASER WELDED SEAM

Q-F adapts to your every need; connect to the old or bring in the new.

Q-F has everything you need in galvanized or stainless steel parts:

- * **LASER WELDED** pipe in diameters from 3" to 24"
- * Branch fitting in all sizes and shapes
- * Elbows 30°, 45°, 60°, 90°
- * Larger custom sizes and special adapters
- * Blast Gates, Diverter Valves, Hoods, Manifolds.

Q-F adjusts to fit - without complicated measurements.

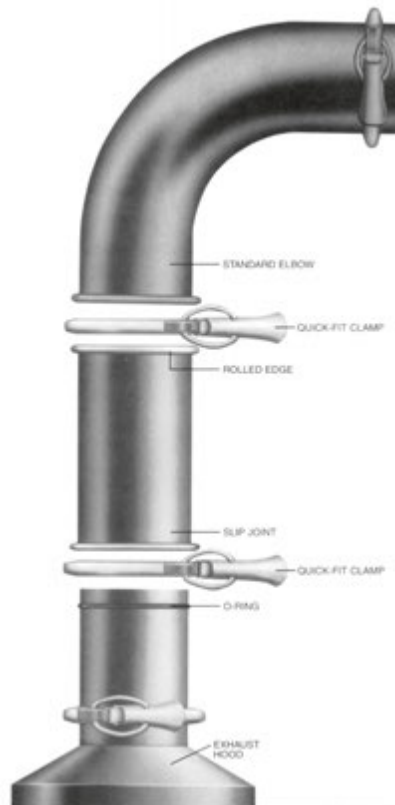
Planning to add, remove, or replace dust-extraction piping? Q-F's adjustable fitting slide together to create the precise length. No need for time wasted on exact measuring and precision cuts. Simply slide on and fit to your desired length, a few inches or a few feet. Need a different length for a new run? Just re-use your Q-F components and re-fit again reducing your cutting and fabricating time.

Q-F saves you time and money.

Just how much money can you save using Q-F? Call us! You will be pleased with the savings and all the built-in advantages you get with Q-F.

Whether you need just a few parts, or help with a complete system, Q-F has 4 to 5 day lead time.

Call for a free sample.



Air Cleaning Specialists Inc.
11088 Gravois Industrial Ct.
St. Louis MO 63128
Toll Free: 800-878-5030
Fax: 636-349-0556
www.ductingsystems.com

