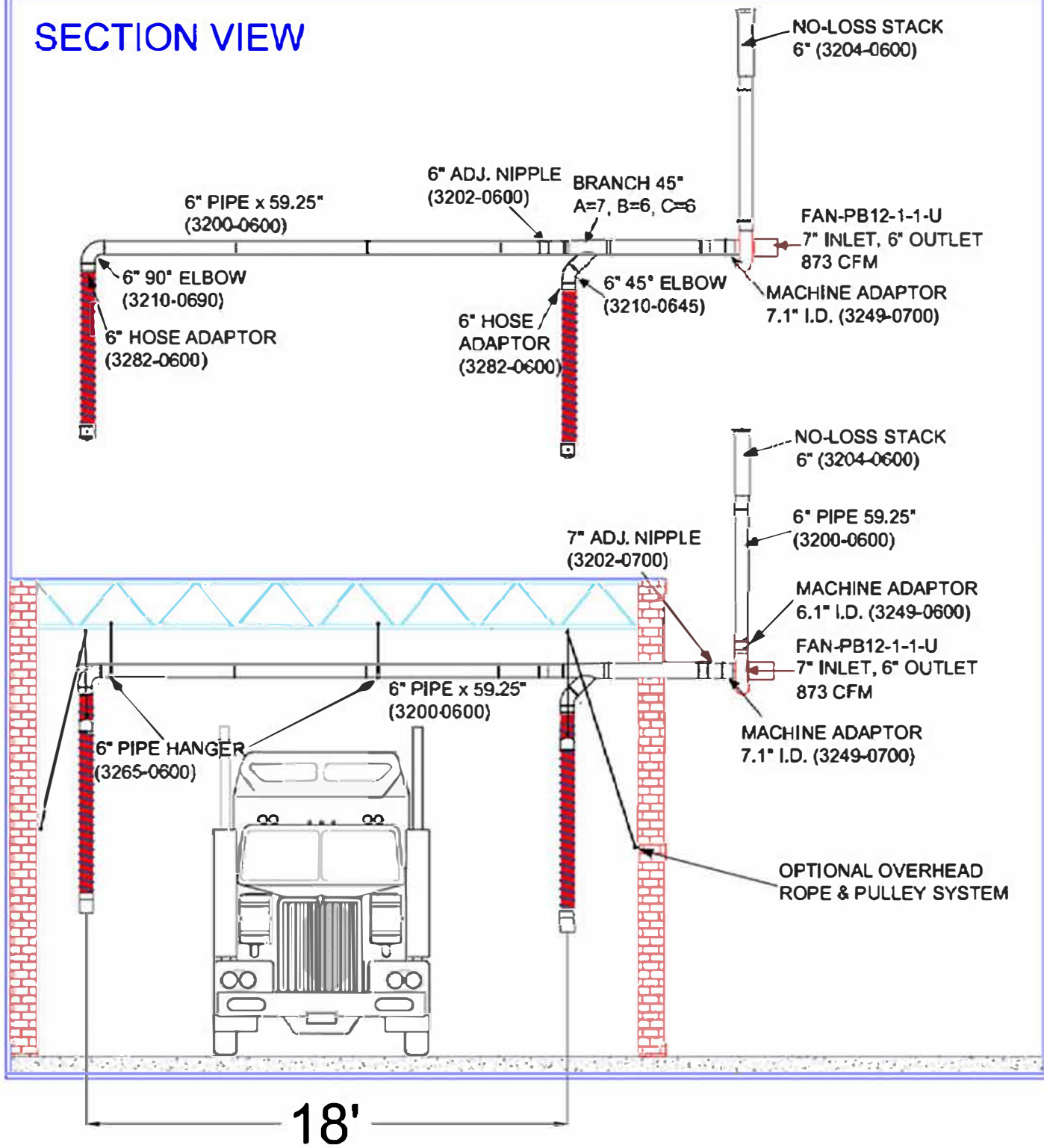


# SECTION VIEW



Air Cleaning Specialists Inc.  
 11088 Gravois Ind. Ct.  
 St. Louis MO 63128  
 636-349-4400  
 636-349-0556 Fax

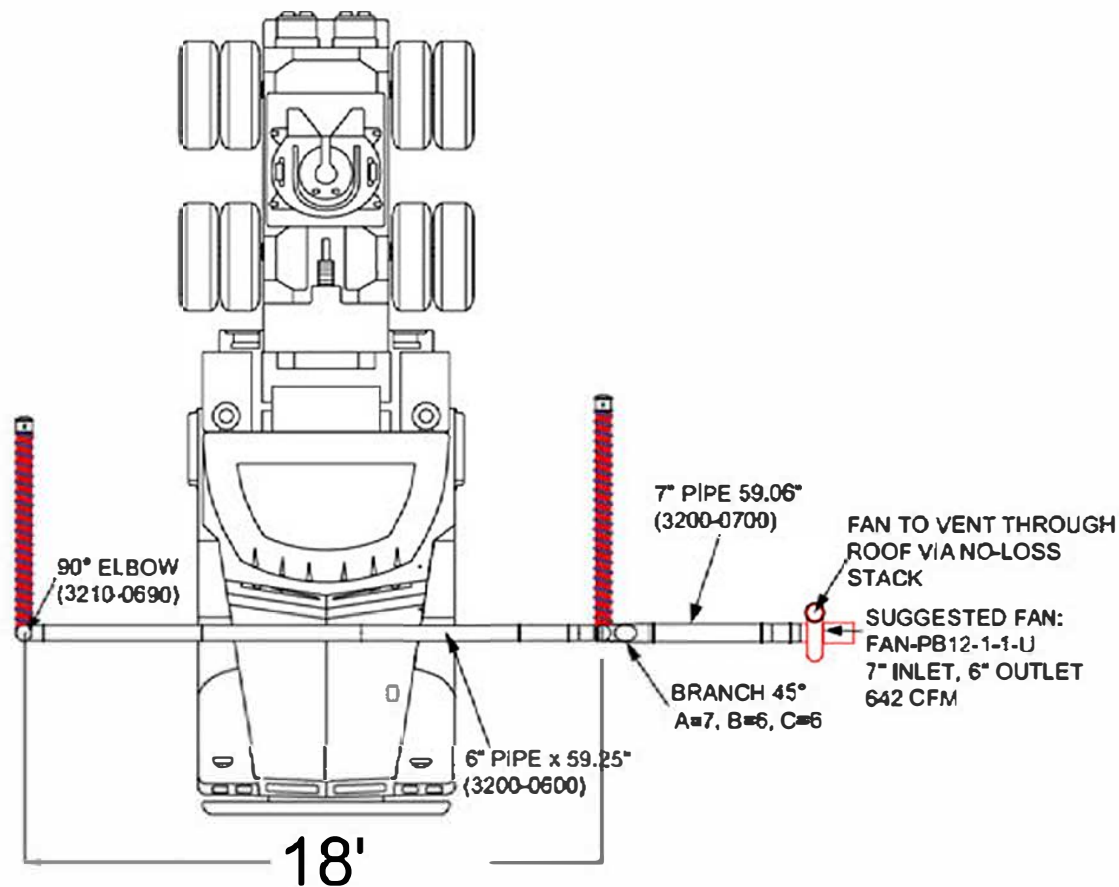
REVISIONS	
0	

SHEET NAME  
**DETAIL**

**FUME-A-VENT**  
 EXHAUST REMOVAL SYSTEMS  
A Division of ACS Air Cleaning Specialists, Inc.

DRAWING TITLE		
GENERIC		
SIMPLE DROP		
6 INCH 2 DROP		
DRAWN: CODY BINGAMAN		
CHECKED: JIM GRAYEM		
PROJECT NAME		
Fume-A-Vent		
DATE	VIEW	
1/29/14	SIDE	
SIZE	DWG NO.	REV.
A	1	0
SCALE: 1:1	WIDTH: 1	SHEET 1 OF 1

# PLAN/TOP VIEW



**NOTE:** -HOSE AND PULLEY SYSTEM NOT INCLUDED  
 -FANS ARE NOT INCLUDED IN DUCTING QUOTE  
 -FANS CAN BE CHANGED PER APPLICATION  
 -FAN TO BE MOUNTED BY CUSTOMER PREFERENCE  
 -CONCEPT DRAWING ONLY, LOCATIONS APPROXIMATE

<p>THIS PRINT IS THE PROPERTY OF AIR CLEANING SPECIALISTS, INC.        826 HODAN BLUVE        FENTON, MO 63026        636 349-4400        AND IS OBLIGATED TO THE RECIPIENT        SUBJECT TO RETURN UPON DEMAND.        ITS CONTENTS ARE CONFIDENTIAL        AND MUST NOT BE COPIED OR SUBMITTED TO OUTSIDE PARTIES FOR USE OR EXAMINATION.</p>	<p><b>AIR CLEANING SPECIALISTS, INC.</b></p> <p>Fume-A-Vent 2 Drop 6" Duct System        with Quick-Fit Clamp-Together Ducting        Ref Nordfab Quote No 12-0709 6" x 2 Drops</p> <p style="text-align: center;">PART # FAV-NF-2D6</p>
--	--

## REVISIONS

0	

SHEET NAME  
**DETAIL**

**FUME-A-VENT**  
 EXHAUST REMOVAL SYSTEMS  
A division of Air Cleaning Specialists, Inc.

DRAWING TITLE  
**GENERIC  
 SIMPLE DROP  
 6 INCH 2 DROP**

DRAWN: CODY BINGAMAN

CHECKED: JIM GRAYEM

PROJECT NAME  
**Fume-A-Vent**

DATE 1/29/14	VIEW TOP
-----------------	-------------

SIZE A	DWG NO. 1	REV. 0
-----------	--------------	-----------



# QUICK-FIT



## THE WORLD'S FASTEST DUCTING

### Q-F puts the squeeze on costly conventional duct installation.

Q-F is a snap! No complicated cutting, no riveting, no braising or welding are required. One Q-F clamp connects sections together in seconds. Branches, diverters, elbows - all adapt easily to your existing duct and may be taken apart and re-used or cleaned without special tools.

### Q-F is easy to install, easy to align, and it's strong!

Q-F clamps are so easy to install, they almost install themselves. Simply place the clamp over the Q-F rolled lip ends and snap! The extraordinary strength of Q-F's specially machined double rolled lips provides a solid, straight run. The patented Q-F clamp connects the rolled ends. Snap the Q-F clamp and you have the strongest, safest, most re-usable dust-extraction piping available today. No special instructions or skills are needed to assemble a Q-F system. Install new lines, clean out lines or make changes to existing duct runs anytime you need to with Q-F.



LASER WELDED SEAM

### Q-F adapts to your every need; connect to the old or bring in the new.

Q-F has everything you need in galvanized or stainless steel parts:

- \* **LASER WELDED** pipe in diameters from 3" to 24"
- \* Branch fitting in all sizes and shapes
- \* Elbows 30°, 45°, 60°, 90°
- \* Larger custom sizes and special adapters
- \* Blast Gates, Diverter Valves, Hoods, Manifolds.

### Q-F adjusts to fit - without complicated measurements.

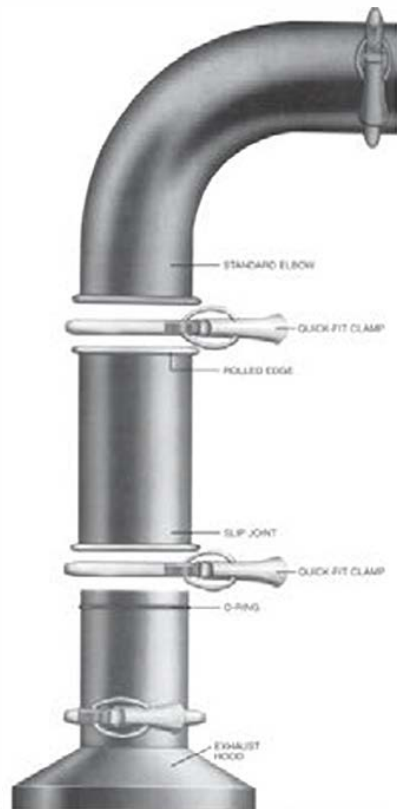
Planning to add, remove, or replace dust-extraction piping? Q-F's adjustable fitting slide together to create the precise length. No need for time wasted on exact measuring and precision cuts. Simply slide on and fit to your desired length, a few inches or a few feet. Need a different length for a new run? Just re-use your Q-F components and re-fit again reducing your cutting and fabricating time.

### Q-F saves you time and money.

Just how much money can you save using Q-F? Call us! You will be pleased with the savings and all the built-in advantages you get with Q-F.

Whether you need just a few parts, or help with a complete system, Q-F has 4 to 5 day lead time.

Call for a free sample.



Air Cleaning Specialists Inc.  
11088 Gravois Industrial Ct.  
St. Louis MO 63128  
Toll Free: 800-878-5030  
Fax: 636-349-0556  
www.ductingsystems.com

