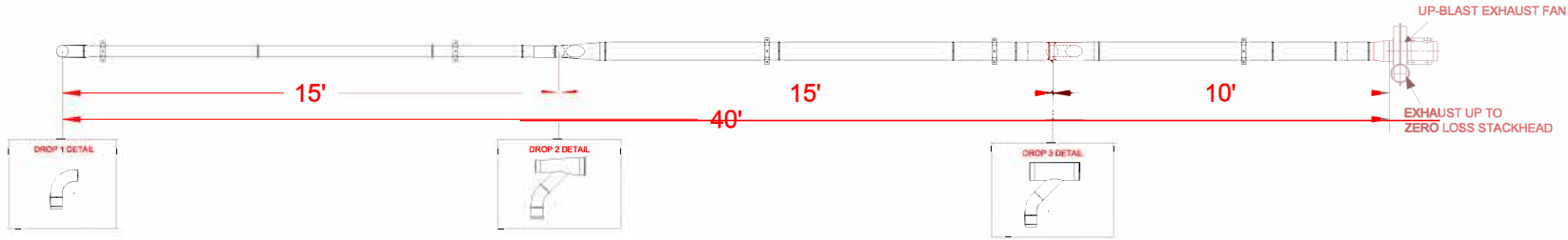


# PLAN VIEW



Air Cleaning Specialists  
11088 Gravois Ind Ct.  
St. Louis MO 63128  
866-455-2130 - Phone  
636-349-0556 - Fax  
www.fumeavent.com  
info@fumeavent.com

REF. NUMBER

17-111422A

QUOTE NUMBER

NF-FAV-3D4

REVISION

0

JOB NAME

BUDGETARY

DRAWING FOR:

**SIMPLE DROP**  
**4 INCH**  
**17-111422A**

SHEET / VIEW NAME

**3 DROP 4 INCH**

DRAWN: CODY BINGAMAN

CHECKED: DAN SCHROEDER

SYSTEM TYPE

**SIMPLE DROP**

DWG DATE

11/15/18

GAUGE

STD.

PAPER SIZE

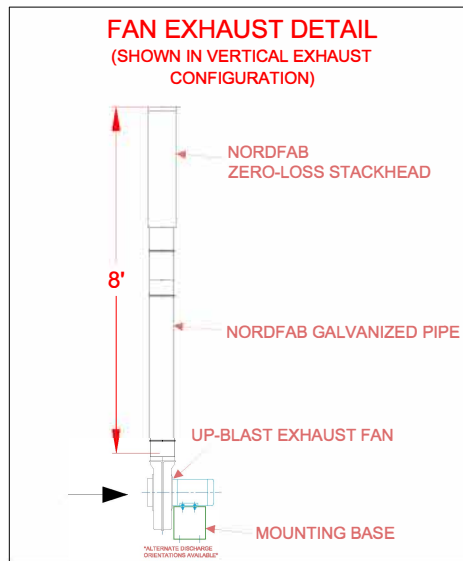
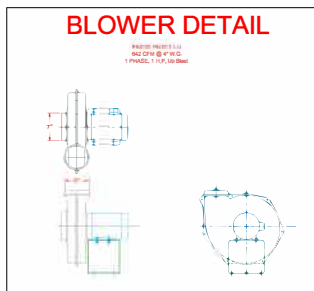
11" x 8.5"

SHEET

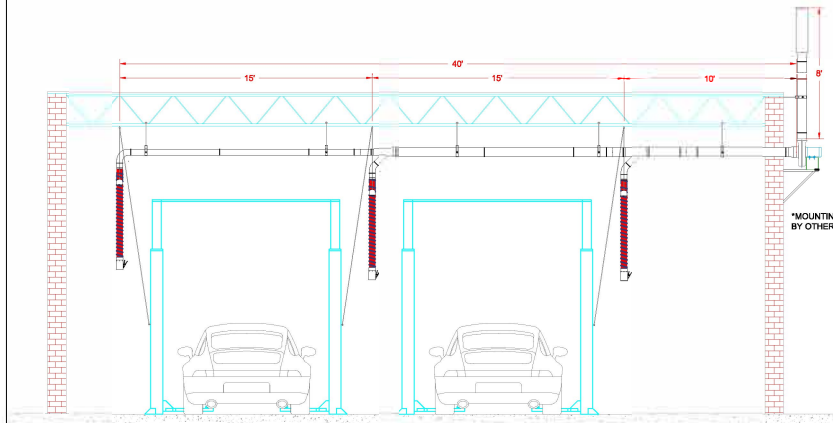
1 OF 1

SCALE: CUSTOM

# DETAILS



# SYSTEM OVERVIEW



**NOTES:**

- 1) CONCEPT DRAWING FOR ESTIMATION AND REFERENCE ONLY
- 2) DUCT SIZING BASED ON 50% USE OF SYSTEM (SUBJECT TO CHANGE AT TIME OF ORDER)
- 3) BLOWER SUBJECT TO CHANGE AT TIME OF ORDER
- 4) BLOWER MOUNTING LOCATION SUBJECT TO CHANGE PER APPLICATION REQUIREMENTS

**CONFIDENTIAL**

THIS DOCUMENT CONTAINS CONFIDENTIAL AND PROPRIETARY INFORMATION THAT CANNOT BE REPRODUCED OR DIVULGED, IN WHOLE OR IN PART, WITHOUT AUTHORIZATION FROM AIR CLEANING SPECIALISTS, INC.



# QUICK-FIT



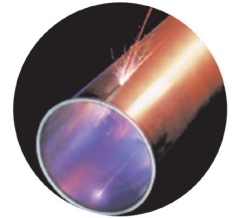
## THE WORLD'S FASTEST DUCTING

### Q-F puts the squeeze on costly conventional duct installation.

Q-F is a snap! No complicated cutting, no riveting, no braising or welding are required. One Q-F clamp connects sections together in seconds. Branches, diverters, elbows - all adapt easily to your existing duct and may be taken apart and re-used or cleaned without special tools.

### Q-F is easy to install, easy to align, and it's strong!

Q-F clamps are so easy to install, they almost install themselves. Simply place the clamp over the Q-F rolled lip ends and snap! The extraordinary strength of Q-F's specially machined double rolled lips provides a solid, straight run. The patented Q-F clamp connects the rolled ends. Snap the Q-F clamp and you have the strongest, safest, most re-usable dust-extraction piping available today. No special instructions or skills are needed to assemble a Q-F system. Install new lines, clean out lines or make changes to existing duct runs anytime you need to with Q-F.



LASER WELDED SEAM

### Q-F adapts to your every need; connect to the old or bring in the new.

Q-F has everything you need in galvanized or stainless steel parts:

- \* **LASER WELDED** pipe in diameters from 3" to 24"
- \* Branch fittings in all sizes and shapes
- \* Elbows 30°, 45°, 60°, 90°
- \* Larger custom sizes and special adapters
- \* Blast Gates, Diverter Valves, Hoods, Manifolds.

### Q-F adjusts to fit - without complicated measurements.

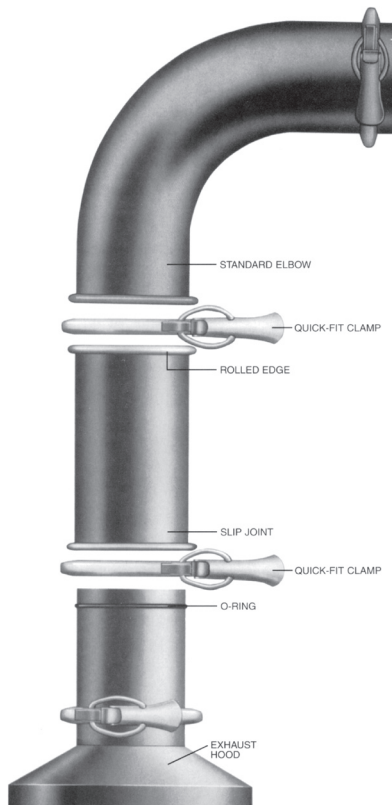
Planning to add, remove, or replace dust-extraction piping? Q-F's adjustable fittings slide together to create the precise length. No need for time wasted on exact measuring and precision cuts. Simply slide on and fit to your desired length, a few inches or a few feet. Need a different length for a new run? Just re-use your Q-F components and re-fit, again reducing your cutting and fabricating time.

### Q-F saves you time and money.

Just how much money can you save using Q-F? Call us! You will be pleased with the savings and all the built-in advantages you get with Q-F.

Whether you need just a few parts, or help with a complete system, Q-F has 4 to 5 day lead time.

Call for a free sample.



Air Cleaning Specialists Inc.  
11088 Gravois Industrial Ct.  
St. Louis MO 63128  
Toll Free: 800-878-5030  
Fax: 636-349-0556  
[www.ductingsystems.com](http://www.ductingsystems.com)

