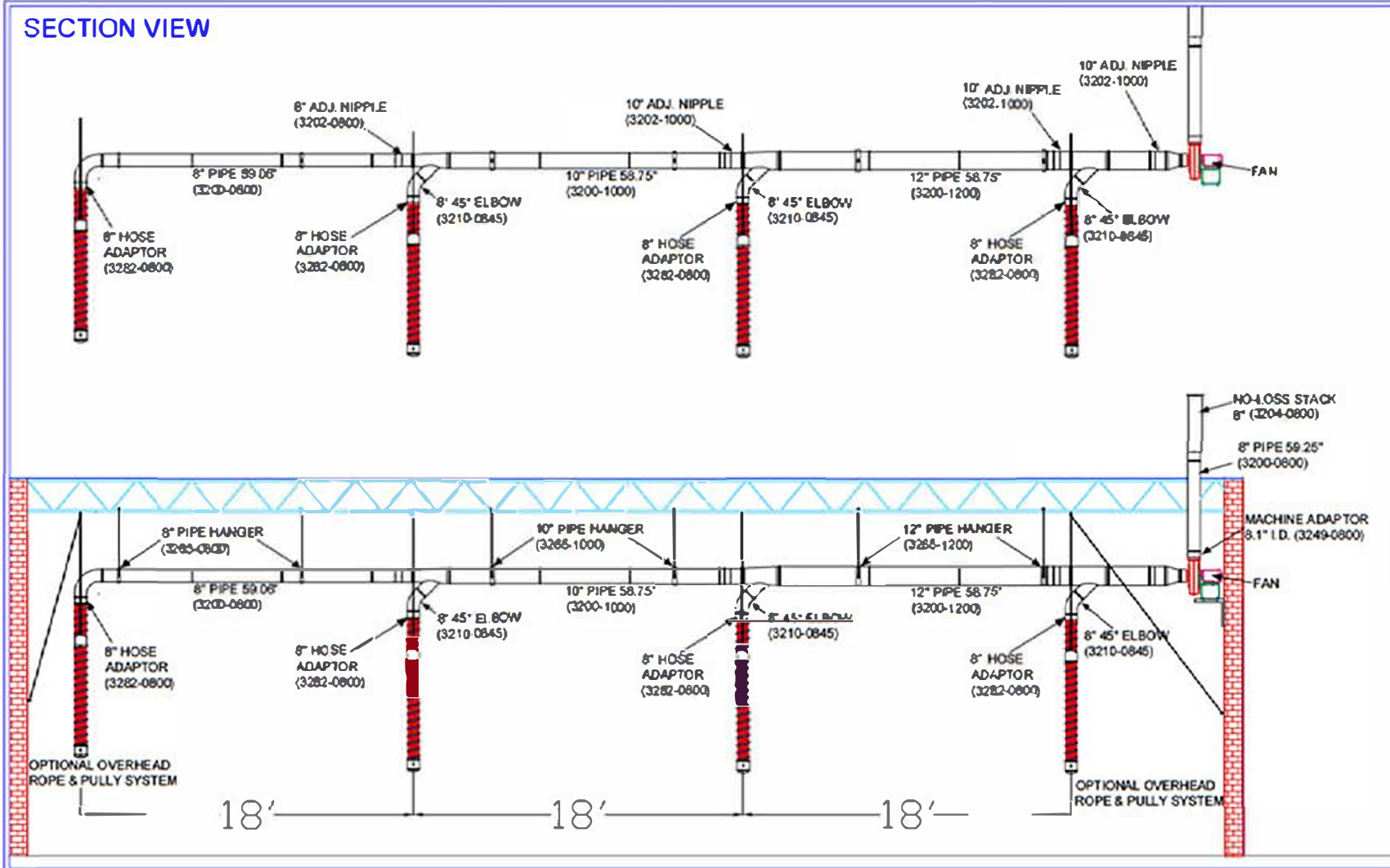


SECTION VIEW



REVISIONS

12-1030

SHEET NAME
 DETAIL

FUME-A-VENT
 EXHAUST REMOVAL SYSTEMS
A Division of Air Cleaning Specialists, Inc.

DRAWING TITLE
 8 INCH-
 4 DROP
 DUCTING

DRAWN: CODY BINGAMAN

CHECKED: JIM GRAYEM

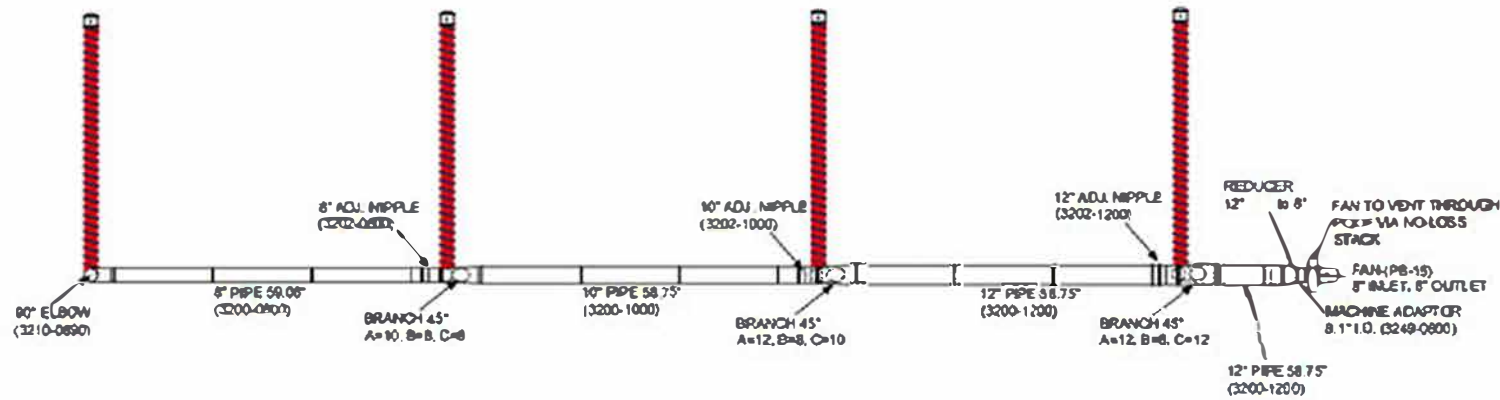
PROJECT NAME
 OVERHEAD

DATE	VIEW
10/31/12	SIDE
SIZE	DWG NO. REV.
A	1 0
SCALE: 1/4"	WEIGHT: 1
SHEET 1 OF 1	



Air Cleaning Specialists Inc.
 11088 Gravois Ind. Ct.
 St. Louis MO 63128
 636-349-4400
 636-349-0556 Fax

PLAN/TOP VIEW



NOTE: -HOSE AND PULLEY SYSTEM NOT INCLUDED
 -FANS ARE NOT INCLUDED IN DUCTING QUOTE
 -FANS ARE MADE TO ORDER
 -FAN TO BE MOUNTED BY CUSTOMER PREFERENCE
 -CONCEPT DRAWING ONLY, LOCATIONS APPROXIMATE

THIS DRAWING IS THE PROPERTY OF AIR CLEANING SPECIALISTS INC. IT IS TO BE USED ONLY FOR THE PROJECT AND QUOTE SPECIFICALLY REFERENCED TO IT. IT IS NOT TO BE REPRODUCED, COPIED, OR TRANSMITTED IN ANY FORM OR BY ANY MEANS, ELECTRONIC OR MECHANICAL, INCLUDING PHOTOCOPYING, RECORDING, OR BY ANY INFORMATION STORAGE AND RETRIEVAL SYSTEM. ANY UNAUTHORIZED USE OF THIS DRAWING IS PROHIBITED AND WILL BE PROSECUTED TO THE FULL EXTENT OF THE LAW.

AIR CLEANING SPECIALISTS INC.

Fume-A-Vent 4 Drop 8" Duct System
 with Quick-Fit Clamp-Together Coupling
 Part Number Quote No. 12-1030-4-Drop

PART # FAV-408

REVISIONS

12-1030

SHEET NAME
 DETAIL



DRAWING TITLE
 8 INCH-
 4 DROP
 DUCTING

DRAWN: CODY BINGAMAN

CHECKED: JIM GRAYEM

PROJECT NAME
 OVERHEAD

DATE
 10/31/12 VIEW
 PLAN

SIZE DWG NO. REV.
 A 1 0

SCALE: 1:1 WEIGHT: 1 SHEET 1 OF 1



QUICK-FIT



THE WORLD'S FASTEST DUCTING

Q-F puts the squeeze on costly conventional duct installation.

Q-F is a snap! No complicated cutting, no riveting, no braising or welding are required. One Q-F clamp connects sections together in seconds. Branches, diverters, elbows - all adapt easily to your existing duct and may be taken apart and re-used or cleaned without special tools.

Q-F is easy to install, easy to align, and it's strong!

Q-F clamps are so easy to install, they almost install themselves. Simply place the clamp over the Q-F rolled lip ends and snap! The extraordinary strength of Q-F's specially machined double rolled lips provides a solid, straight run. The patented Q-F clamp connects the rolled ends. Snap the Q-F clamp and you have the strongest, safest, most re-usable dust-extraction piping available today. No special instructions or skills are needed to assemble a Q-F system. Install new lines, clean out lines or make changes to existing duct runs anytime you need to with Q-F.



LASER WELDED SEAM

Q-F adapts to your every need; connect to the old or bring in the new.

Q-F has everything you need in galvanized or stainless steel parts:

- * **LASER WELDED** pipe in diameters from 3" to 24"
- * Branch fitting in all sizes and shapes
- * Elbows 30°, 45°, 60°, 90°
- * Larger custom sizes and special adapters
- * Blast Gates, Diverter Valves, Hoods, Manifolds.

Q-F adjusts to fit - without complicated measurements.

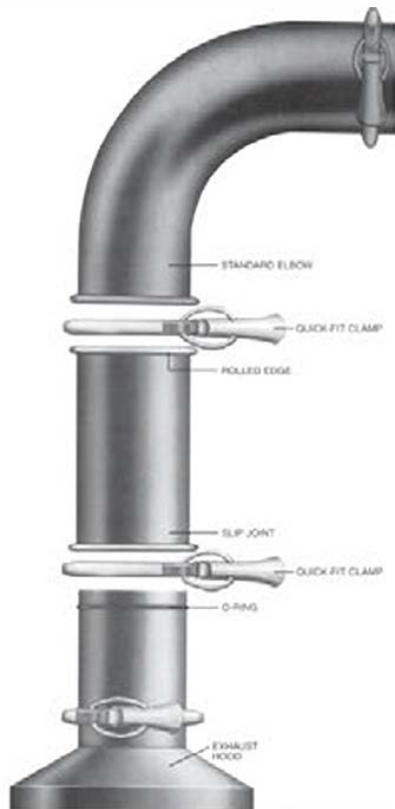
Planning to add, remove, or replace dust-extraction piping? Q-F's adjustable fitting slide together to create the precise length. No need for time wasted on exact measuring and precision cuts. Simply slide on and fit to your desired length, a few inches or a few feet. Need a different length for a new run? Just re-use your Q-F components and re-fit again reducing your cutting and fabricating time.

Q-F saves you time and money.

Just how much money can you save using Q-F? Call us! You will be pleased with the savings and all the built-in advantages you get with Q-F.

Whether you need just a few parts, or help with a complete system, Q-F has 4 to 5 day lead time.

Call for a free sample.



Air Cleaning Specialists Inc.
11088 Gravois Industrial Ct.
St. Louis MO 63128
Toll Free: 800-878-5030
Fax: 636-349-0556
www.ductingsystems.com

