

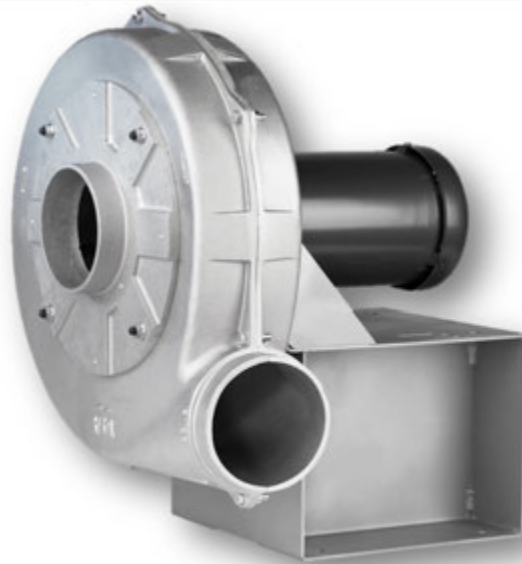
Fume-A-Vent PB 15 Series Pressure Blowers

Date 7/12

Part No. PB15-X-X-X

Pressure Blowers

TAB 12-I

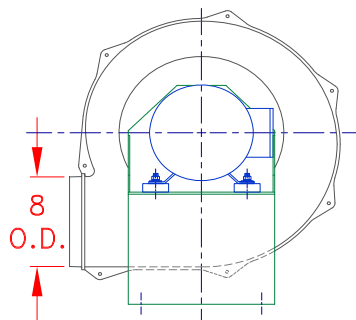


This exhaust fan is designed for the purpose of exhausting most particulates as well as volatile organic compounds (VOC's) created by internal combustion engines. These fans feature high pressure 3/16" minimum thickness radial flat wheels, direct drive, and are AMCA Type B spark resistant. Housing shall be of Aluminum/Magnesium alloy created by 2-piece construction with gaskets and steel hardware. Fan shall be tested and be in accordance with AMCA Standard 210.

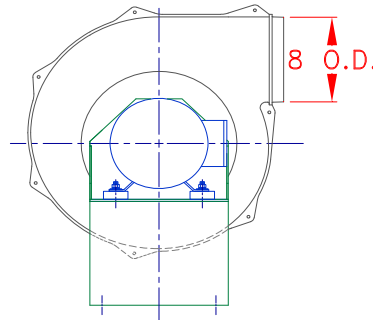
The motor is TEFC type, UL and CSA rated, factory balanced by removal of material with no additional weights used. It shall run at 3450 RPM and can operate under normal temperatures up to 150 degrees. Motor bases made with 12 gauge steel minimum. High temperature upgrade available for use up to 400 degrees. To be manufactured in the United States and meets all local, state, and federal government standards. PB Series 15 fans available with 5, 7.5, or 10 H.P. motors.

Model No	H.P.	Phase	CFM	Inlet	Outlet	Weight	Voltage	FLA	Breaker Size	DBA @ 5'	Frame
PB15-5-1-X	5	1	1754 CFM @ 4" w.g.	8"	8"	176 Lbs	230V	19.8	30A	84	184T
PB15-5-3-X	5	3	1754 CFM @ 4" w.g.	8"	8"	176 Lbs.	230/460V	13.2 / 7	20A, 15A	84	184T
Model No	H.P.	Phase	CFM	Inlet	Outlet	Weight	Voltage	FLA	Breaker Size	DBA @ 5'	Frame
PB15-7.5-1-X	7.5	1	2472 CFM @ 4" w.g.	10"	8"	187 Lbs.	230V	33	40A	86	213T
PB15-7.5-3-X	7.5	3	2472 CFM @ 4" w.g.	10"	8"	187 Lbs.	208/230V	19.4 - 18 / 9	30A	86	213T

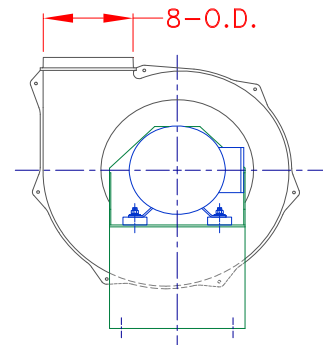
Model Numbers X place holder for Discharge option. Typical Discharge directions shown below with Outlet Diameter. Inlet located at center mark.



CW Bottom Horizontal Discharge



CW Top Horizontal Discharge



CW Up Blast Discharge

NOTE: More fan discharge directions available for all fans, including clockwise and counter-clockwise options.



AIR CLEANING SPECIALISTS, INC.
 11088 Gravois Industrial Court, St. Louis, MO 63128
 866 455-2132 Fax 636 349-0556
 www.fumeavent.com info@fumeavent.com

This drawing has been copyrighted and is the property of Air Cleaning Specialists, Inc.

Fume-A-Vent Fan Mounting Examples

Date 7/12

Part No. PB-XX-X

Pressure Blowers

TAB 12-J-2

Below is the most common methods for mounting our Pressure Blower Series Fans. Unistrut is generally utilized as an inexpensive, easy, and quick installation with the bolt holes included in the base of the fan. We do not typically provide Unistrut or hardware, as it is available at most local supply stores. Please consult our experts for more assistance in choosing mounting styles. Venting either through the roof or wall is advised as shown below.



Ceiling Joist Mounting-
Unistrut Hung from Ceiling Joists



Unistrut Structure-
Unistrut can be Fabricated into Joists via Hardware



Custom Wall Mounting-
Unistrut Utilized on Both Sides of Wall via Hardware



Custom Shelf Mounting-
Fabricated Metal Shelf with Unistrut Support

Note: Pre-made Wall Mounting Brackets available as an option for additional cost. Please refer to TAB 12-C for information.

Fume-A-Vent PB Series Fans Dimensions

Date 7/12

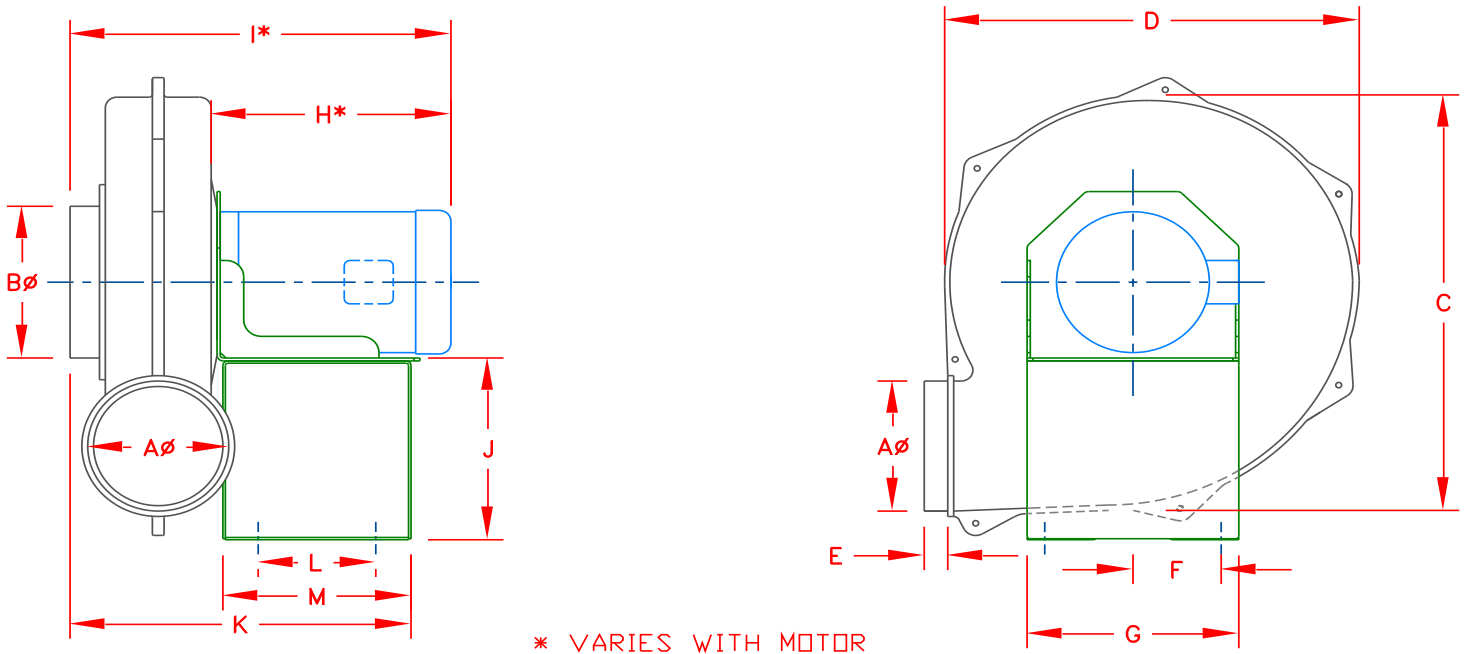
Part No. PBXX

Pressure Blowers

TAB 12- J

All Dimensions in Inches ± 1/8"

Model Number	Motor Frame	A Outlet	B Inlet	C	D	E	F	G	H*	I*	J	K	L	M
PB-9	56	4	5	15- ¹ / ₂	14	1	2- ³ / ₄	7	12- ¹ / ₂	17- ¹¹ / ₁₆	6- ⁷ / ₈	13- ⁵ / ₁₆	5- ³ / ₄	7- ⁷ / ₈
	143T	4	5	15- ¹ / ₈	14	1	3- ³ / ₄	9	12	17- ¹¹ / ₁₆	8- ¹ / ₄	13- ¹³ / ₁₆	5	8
PB-10	56	5	6	18	16- ⁵ / ₁₆	1	2- ³ / ₄	7	12- ¹ / ₂	18	6- ⁷ / ₈	13- ¹¹ / ₁₆	5- ³ / ₄	7- ⁷ / ₈
	143T	5	6	18	16- ⁵ / ₁₆	1	3- ³ / ₄	9	12	17- ¹ / ₂	8- ¹ / ₄	13- ³ / ₁₆	5	8
PB-12	56	6	7	21- ¹ / ₈	17- ⁵ / ₈	1	3- ³ / ₄	9	12- ¹ / ₂	18- ³ / ₄	8- ¹ / ₄	14- ¹ / ₂	5	8
	143T	6	7	21- ¹ / ₈	17- ⁵ / ₈	1	3- ³ / ₄	9	12	18- ¹ / ₄	8- ¹ / ₄	14- ⁷ / ₈	5	8
PB-14	56	6	7	22- ⁷ / ₁₆	19- ³ / ₁₆	1	4- ¹⁵ / ₁₆	12	12- ¹ / ₂	19- ³ / ₄	9- ¹⁵ / ₁₆	20	8- ³ / ₄	11- ³ / ₄
	143T	6	7	22- ⁷ / ₁₆	19- ³ / ₁₆	1	4- ¹⁵ / ₁₆	12	12	19- ¹ / ₄	9- ¹⁵ / ₁₆	20	8- ³ / ₄	11- ³ / ₄
PB-15	184T	8	10	23- ¹³ / ₁₆	21- ³ / ₁₆	1	4- ¹⁵ / ₁₆	12	15- ¹ / ₂	24	9- ¹⁵ / ₁₆	21- ¹ / ₄	8- ³ / ₄	11- ³ / ₄
	184T	8	10	23- ¹³ / ₁₆	21- ³ / ₁₆	1	4- ¹⁵ / ₁₆	12	16	24- ¹ / ₂	9- ¹⁵ / ₁₆	21- ¹ / ₄	8- ³ / ₄	11- ³ / ₄



The Motor Frame is normally decided by the factory based on H.P. and the RPM of the fan. The 56 frame is normally used on up to 1 H.P. motors, and 143T is used up to 3 H.P. in most cases. If you require a specific frame for your selected motor, contact your dealer as some fans can interchange between motor frames for special needs.



AIR CLEANING SPECIALISTS, INC.
 11088 Gravois Industrial Court, St. Louis, MO 63128
 866 455-2132 Fax 636 349-0556
www.fumeavent.com info@fumeavent.com

This drawing has been copyrighted
 and is the property of
 Air Cleaning Specialists, Inc.