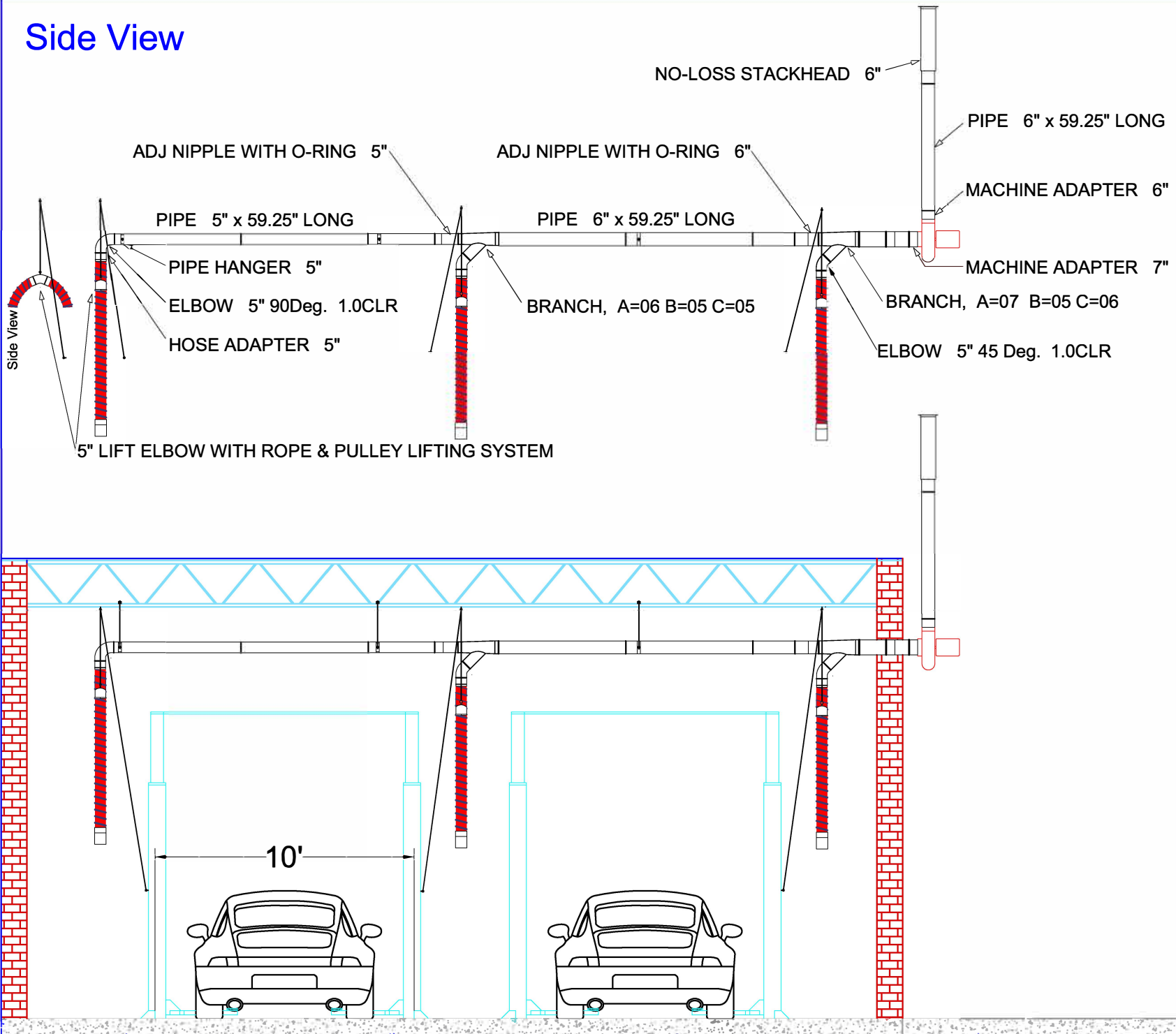


Side View



Air Cleaning Specialists Inc.
 11088 Gravois Ind. Ct.
 St. Louis MO 63128
 636-349-4400
 636-349-0556 Fax

REF. NUMBER

12-0905-5-3

REVISIONS

0

SHEET NAME
 DETAIL



DRAWING FOR:
 GENERIC 5"
 DUCT SYSTEM
 3 DROP

DRAWN: CODY BINGAMAN

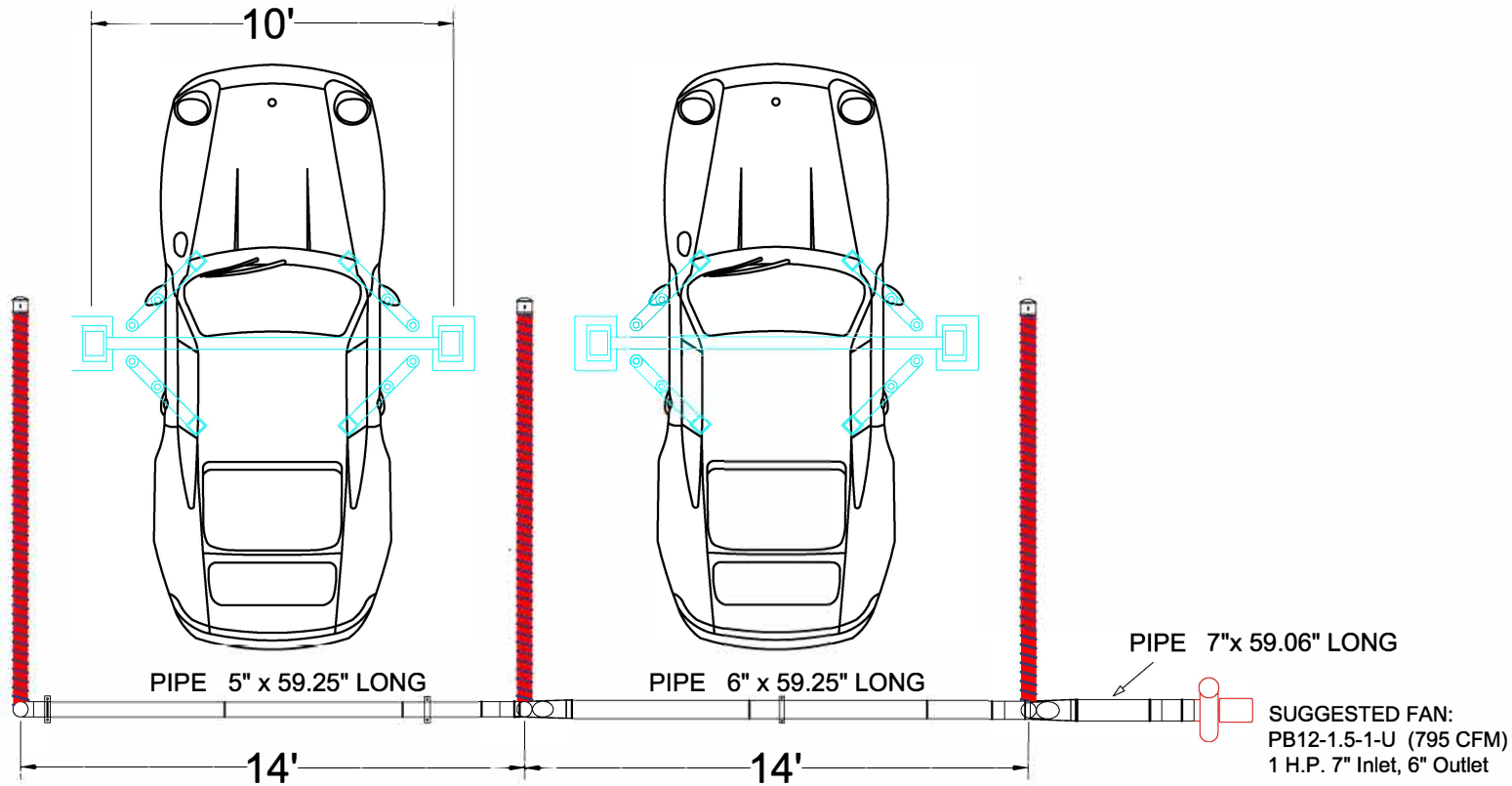
CHECKED: JIM GRAYEM

PROJECT NAME
 SIMPLE DROP

DATE	VIEW
1/29/14	SIDE

SIZE	DWG NO.	REV.
A	1	0

Plan View



THIS IS A CONCEPT DRAWING.
ALL EQUIPMENT LOCATIONS ARE
APPROXIMATE & SUBJECT TO CHANGE.

THIS PRINT IS THE PROPERTY OF
AIR CLEANING SPECIALISTS, INC.
826 HORAN DRIVE
FENTON, MO 63026
636 349-4400
AND IS ON LOAN TO THE RECIPIENT
SUBJECT TO RETURN UPON DEMAND.
IT'S CONTENTS ARE CONFIDENTIAL
AND MUST NOT BE COPIED OR SUB-
MITTED TO OUTSIDE PARTIES FOR
USE OR EXAMINATION.

AIR CLEANING SPECIALISTS, INC.

Fume-A-Vent 3 Drop 5" Simple Drop System
with Quick-Fit Clamp-together Duct System
Ref Nordfab Quote No 12-0901 5" x 3 Drops

FAV-NF-3D5



Air Cleaning
Specialists Inc.
11088 Gravois Ind. Ct.
St. Louis MO 63128
636-349-4400
636-349-0556 Fax

REF. NUMBER

12-0905-5-3

REVISIONS

0

SHEET NAME

DETAIL



DRAWING FOR:

GENERIC 5"
DUCT SYSTEM
3 DROP

DRAWN: CODY BINGAMAN

CHECKED: JIM GRAYEM

PROJECT NAME
SIMPLE DROP

DATE	VIEW
1/29/14	TOP

SIZE	DWG NO.	REV.
A	1	0



QUICK-FIT



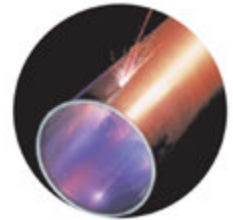
THE WORLD'S FASTEST DUCTING

Q-F puts the squeeze on costly conventional duct installation.

Q-F is a snap! No complicated cutting, no riveting, no braising or welding are required. One Q-F clamp connects sections together in seconds. Branches, diverters, elbows - all adapt easily to your existing duct and may be taken apart and re-used or cleaned without special tools.

Q-F is easy to install, easy to align, and it's strong!

Q-F clamps are so easy to install, they almost install themselves. Simply place the clamp over the Q-F rolled lip ends and snap! The extraordinary strength of Q-F's specially machined double rolled lips provides a solid, straight run. The patented Q-F clamp connects the rolled ends. Snap the Q-F clamp and you have the strongest, safest, most re-usable dust-extraction piping available today. No special instructions or skills are needed to assemble a Q-F system. Install new lines, clean out lines or make changes to existing duct runs anytime you need to with Q-F.



LASER WELDED SEAM

Q-F adapts to your every need; connect to the old or bring in the new.

Q-F has everything you need in galvanized or stainless steel parts:

- * **LASER WELDED** pipe in diameters from 3" to 24"
- * Branch fitting in all sizes and shapes
- * Elbows 30°, 45°, 60°, 90°
- * Larger custom sizes and special adapters
- * Blast Gates, Diverter Valves, Hoods, Manifolds.

Q-F adjusts to fit - without complicated measurements.

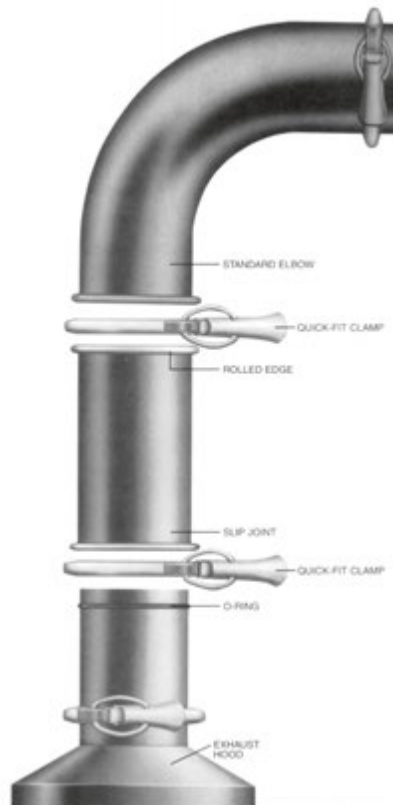
Planning to add, remove, or replace dust-extraction piping? Q-F's adjustable fitting slide together to create the precise length. No need for time wasted on exact measuring and precision cuts. Simply slide on and fit to your desired length, a few inches or a few feet. Need a different length for a new run? Just re-use your Q-F components and re-fit again reducing your cutting and fabricating time.

Q-F saves you time and money.

Just how much money can you save using Q-F? Call us! You will be pleased with the savings and all the built-in advantages you get with Q-F.

Whether you need just a few parts, or help with a complete system, Q-F has 4 to 5 day lead time.

Call for a free sample.



Air Cleaning Specialists Inc.
11088 Gravois Industrial Ct.
St. Louis MO 63128
Toll Free: 800-878-5030
Fax: 636-349-0556
www.ductingsystems.com

