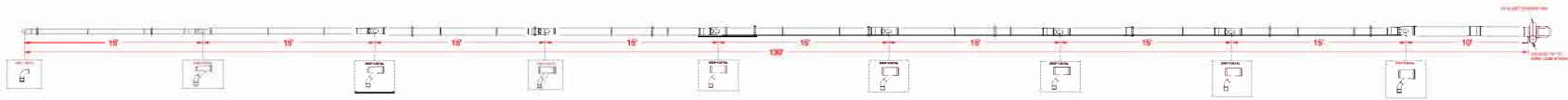


PLAN VIEW



Air Cleaning Specialists
11088 Gravois Ind. Ct.
St. Louis MO 63128
866-455-2130 - Phone
636-349-0556 - Fax
www.fumeavent.com
info@fumeavent.com

REF. NUMBER

17-111422A

QUOTE NUMBER

NF-FAV-9D4

REVISION

0

SHEET / VIEW NAME

9 DROP 4 INCH

DRAWING FOR:

**SIMPLE DROP
4 INCH**

17-111422A

DRAWN: CODY BINGAMAN

CHECKED: DAN SCHROEDER

**SYSTEM TYPE
SIMPLE DROP**

DWG DATE

11/15/18

GAUGE

STD.

PAPER SIZE

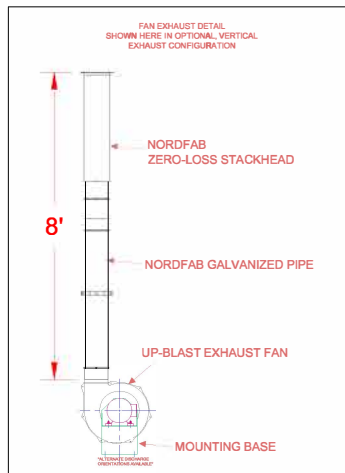
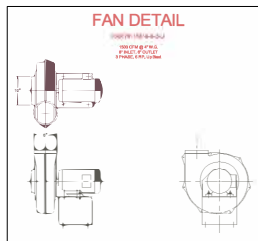
11" x 8.5"

SHEET

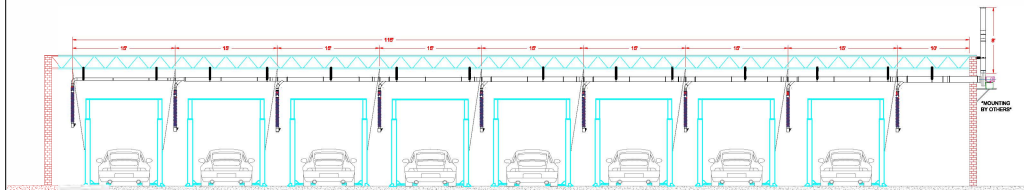
1 OF 1

SCALE: CUSTOM

DETAILS



SYSTEM OVERVIEW



NOTES:

- 1) CONCEPT DRAWING FOR ESTIMATION AND REFERENCE ONLY
- 2) DUCT SIZING BASED ON 50% USE OF SYSTEM (SUBJECT TO CHANGE AT TIME OF ORDER)
- 3) BLOWER SUBJECT TO CHANGE AT TIME OF ORDER
- 4) BLOWER MOUNTING LOCATION SUBJECT TO CHANGE PER APPLICATION REQUIREMENTS

CONFIDENTIAL

THIS DOCUMENT CONTAINS
CONFIDENTIAL AND PROPRIETARY
INFORMATION THAT CANNOT BE
REPRODUCED OR DIVULGED, IN WHOLE
OR IN PART, WITHOUT AUTHORIZATION
FROM AIR CLEANING SPECIALISTS, INC.



QUICK-FIT



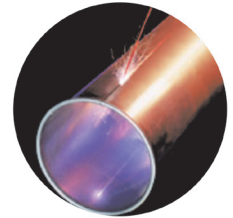
THE WORLD'S FASTEST DUCTING

Q-F puts the squeeze on costly conventional duct installation.

Q-F is a snap! No complicated cutting, no riveting, no braising or welding are required. One Q-F clamp connects sections together in seconds. Branches, diverters, elbows - all adapt easily to your existing duct and may be taken apart and re-used or cleaned without special tools.

Q-F is easy to install, easy to align, and it's strong!

Q-F clamps are so easy to install, they almost install themselves. Simply place the clamp over the Q-F rolled lip ends and snap! The extraordinary strength of Q-F's specially machined double rolled lips provides a solid, straight run. The patented Q-F clamp connects the rolled ends. Snap the Q-F clamp and you have the strongest, safest, most re-usable dust-extraction piping available today. No special instructions or skills are needed to assemble a Q-F system. Install new lines, clean out lines or make changes to existing duct runs anytime you need to with Q-F.



LASER WELDED SEAM

Q-F adapts to your every need; connect to the old or bring in the new.

Q-F has everything you need in galvanized or stainless steel parts:

- * **LASER WELDED** pipe in diameters from 3" to 24"
- * Branch fittings in all sizes and shapes
- * Elbows 30°, 45°, 60°, 90°
- * Larger custom sizes and special adapters
- * Blast Gates, Diverter Valves, Hoods, Manifolds.

Q-F adjusts to fit - without complicated measurements.

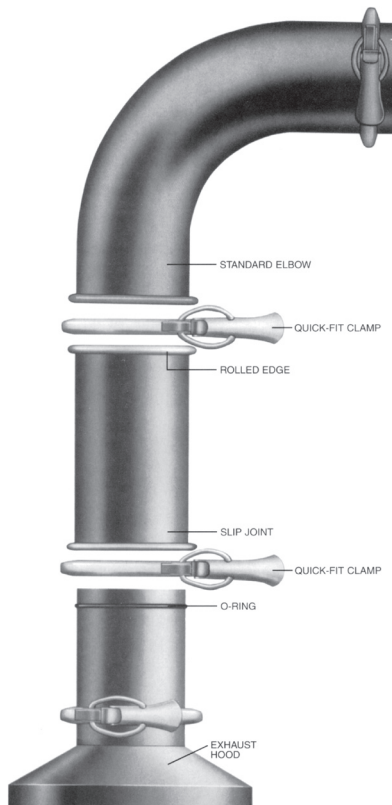
Planning to add, remove, or replace dust-extraction piping? Q-F's adjustable fittings slide together to create the precise length. No need for time wasted on exact measuring and precision cuts. Simply slide on and fit to your desired length, a few inches or a few feet. Need a different length for a new run? Just re-use your Q-F components and re-fit, again reducing your cutting and fabricating time.

Q-F saves you time and money.

Just how much money can you save using Q-F? Call us! You will be pleased with the savings and all the built-in advantages you get with Q-F.

Whether you need just a few parts, or help with a complete system, Q-F has 4 to 5 day lead time.

Call for a free sample.



Air Cleaning Specialists Inc.
11088 Gravois Industrial Ct.
St. Louis MO 63128
Toll Free: 800-878-5030
Fax: 636-349-0556
www.dustingsystems.com

