

REF. NUMBER

13-122723A

QUOTE #

00

REVISIONS

-

-

-

-

-

SHEET NAME

DETAIL

FUME-A-VENT
 EXHAUST REMOVAL SYSTEMS
A Division of Air Cleaning Specialists, Inc.

-

DRAWING TITLE

HOSE REEL
 DUCTING
 2- DROP

DRAWN: CODY BINGAMAN

CHECKED: JIM GRAYEM

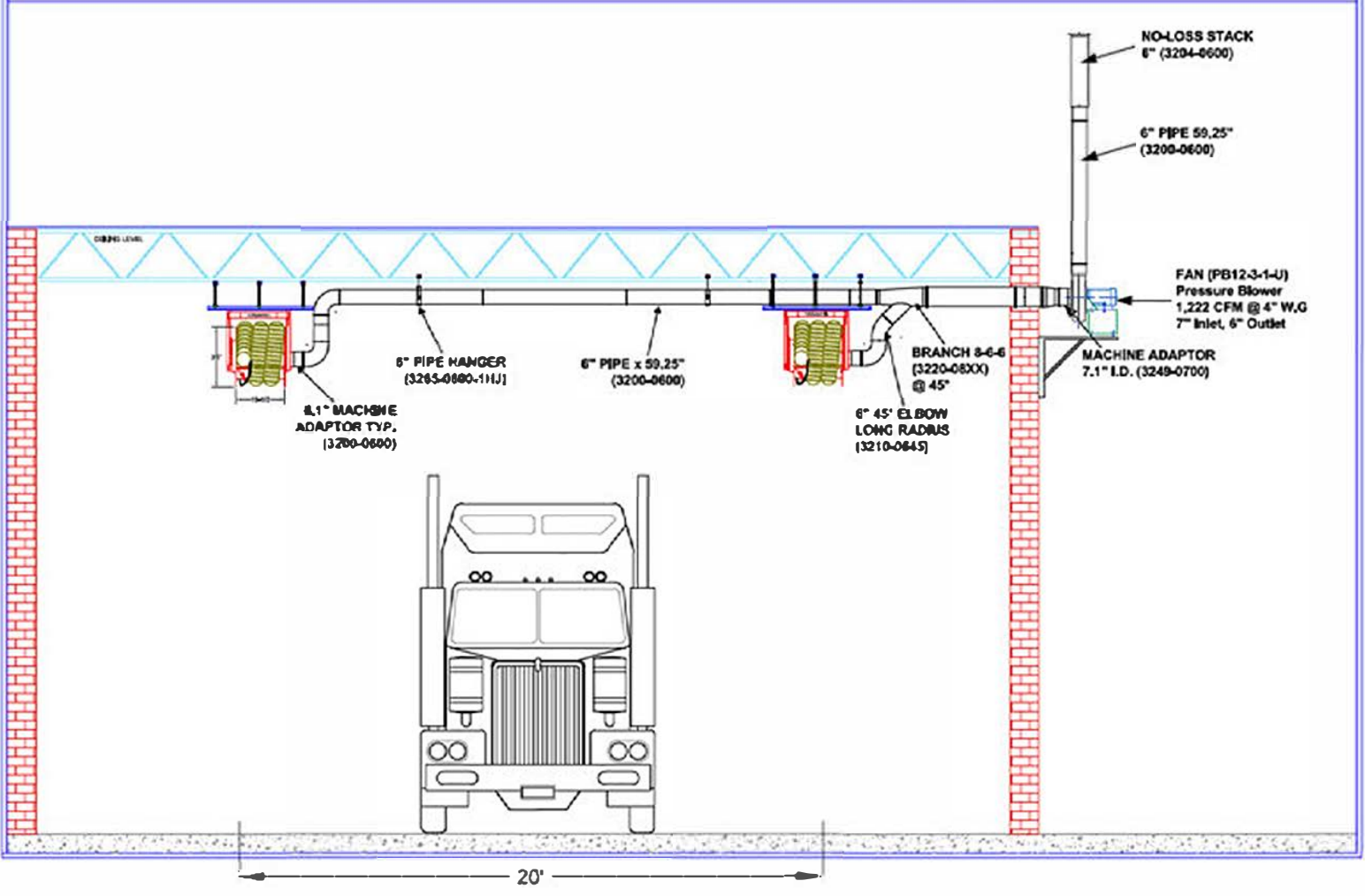
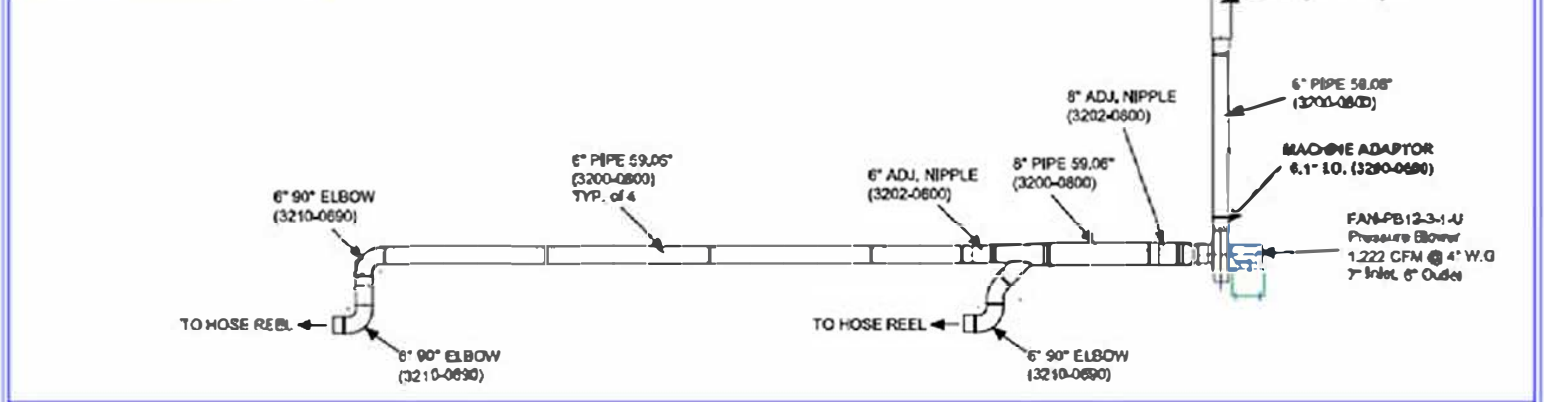
PROJECT NAME

NORDFAB GALV.

DATE	VIEW
12/23/13	SIDE

SIZE	DWG. NO.	REV.
A	1	0

SECTION VIEW





Air Cleaning Specialists Inc.
 11088 Gravois Ind. Ct.
 St. Louis MO 63128
 636-349-4400
 636-349-0556 Fax

REF. NUMBER

13-122723A

QUOTE #

00

REVISIONS

-

SHEET NAME

DETAIL



DRAWING TITLE

HOSE REEL
 DUCTING
 2- DROP

DRAWN: CODY BINGAMAN

CHECKED: JIM GRAYEM

PROJECT NAME
 NORDFAB GALV.

DATE
 12/23/13

VIEW
 TOP

SIZE
 A

DWG NO.
 1

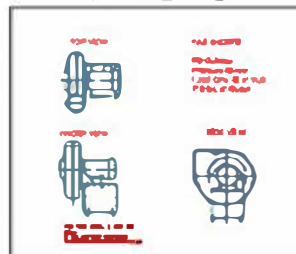
REV.
 0

SCALE: NTS

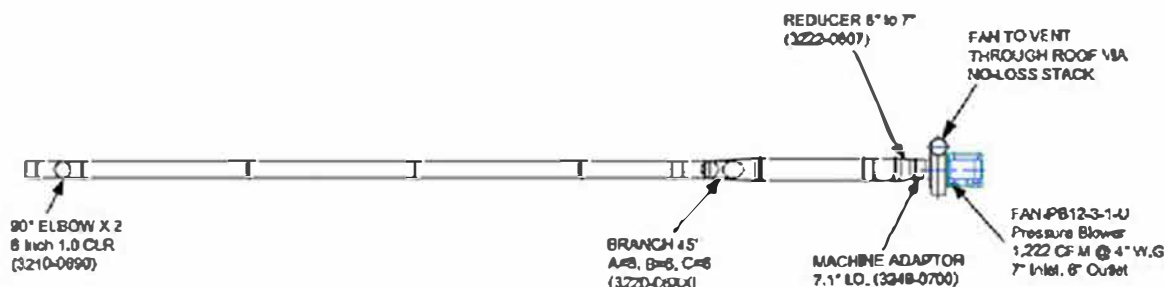
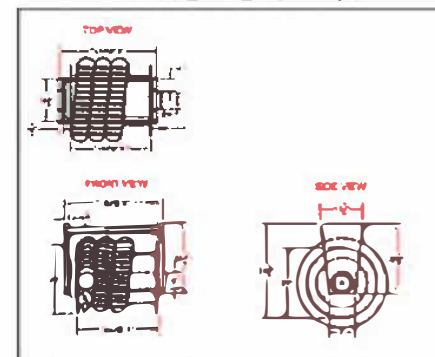
SHEET 1 OF 1

PLAN/TOP VIEW

FAN DETAIL



HOSE REEL DETAIL



NOTE: -FANS ARE NOT INCLUDED IN DUCTING QUOTE
 -FANS CAN BE CHANGED PER APPLICATION
 -FAN TO BE MOUNTED BY CUSTOMER PREFERENCE
 -CONCEPT DRAWING ONLY, LOCATIONS APPROXIMATE
 -DUCT SIZING BASED ON TYPICAL USE OF SYSTEM

THIS PRINT IS THE PROPERTY OF
 AIR CLEANING SPECIALISTS, INC.
 826 MORAN DRIVE
 FENTON, MO 63028
 636 349-4400
 AND IS ON LOAN TO THE RECIPIENT
 SUBJECT TO RETURN UPON DEMAND.
 ITS CONTENTS ARE CONFIDENTIAL
 AND MUST NOT BE COPIED OR SUB-
 MITTED TO OUTSIDE PARTIES FOR
 USE OR EXAMINATION.

AIR CLEANING SPECIALISTS, INC.

Fume-A-Vent 2 Drop 6" Hose Reel Duct System
 with Quick-Fit Clamp-Together Ducting
 Ref Nordfab Quote 13-122723A x 2 Drops

PART # XXXXXX



QUICK-FIT



THE WORLD'S FASTEST DUCTING

Q-F puts the squeeze on costly conventional duct installation.

Q-F is a snap! No complicated cutting, no riveting, no braising or welding are required. One Q-F clamp connects sections together in seconds. Branches, diverters, elbows - all adapt easily to your existing duct and may be taken apart and re-used or cleaned without special tools.

Q-F is easy to install, easy to align, and it's strong!

Q-F clamps are so easy to install, they almost install themselves. Simply place the clamp over the Q-F rolled lip ends and snap! The extraordinary strength of Q-F's specially machined double rolled lips provides a solid, straight run. The patented Q-F clamp connects the rolled ends. Snap the Q-F clamp and you have the strongest, safest, most re-usable dust-extraction piping available today. No special instructions or skills are needed to assemble a Q-F system. Install new lines, clean out lines or make changes to existing duct runs anytime you need to with Q-F.



LASER WELDED SEAM

Q-F adapts to your every need; connect to the old or bring in the new.

Q-F has everything you need in galvanized or stainless steel parts:

- **LASER WELDED** pipe in diameters from 3" to 24"
- Branch fitting in all sizes and shapes
- Elbows 30°, 45°, 60°, 90°
- Larger custom sizes and special adapters
- Blast Gates, Diverter Valves, Hoods, Manifolds.

Q-F adjusts to fit - without complicated measurements.

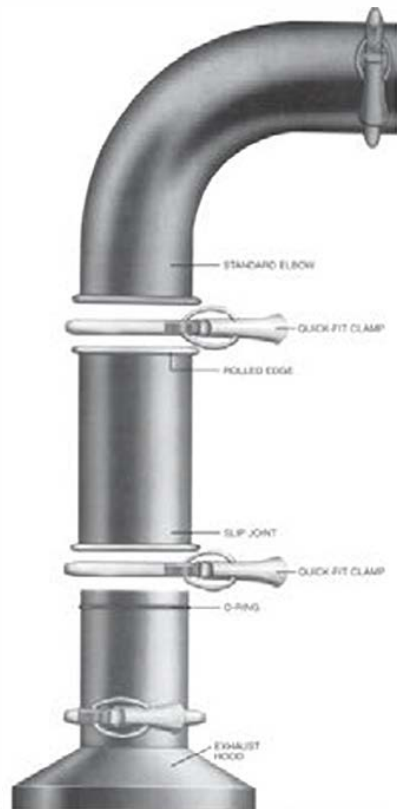
Planning to add, remove, or replace dust-extraction piping? Q-F's adjustable fitting slide together to create the precise length. No need for time wasted on exact measuring and precision cuts. Simply slide on and fit to your desired length, a few inches or a few feet. Need a different length for a new run? Just re-use your Q-F components and re-fit again reducing your cutting and fabricating time.

Q-F saves you time and money.

Just how much money can you save using Q-F? Call us! You will be pleased with the savings and all the built-in advantages you get with Q-F.

Whether you need just a few parts, or help with a complete system, Q-F has 4 to 5 day lead time.

Call for a free sample.



Air Cleaning Specialists Inc.
11088 Gravois Industrial Ct.
St. Louis MO 63128
Toll Free: 800-878-5030
Fax: 636-349-0556
www.dustingsystems.com

