



Air Cleaning Specialists Inc.  
 11088 Gravois Ind. Ct.  
 St. Louis MO 63128  
 636-349-4400  
 636-349-0556 Fax

REF. NUMBER

12-0709-6-3

REVISIONS

0

SHEET NAME

DETAIL



DRAWING FOR:

BUDGETARY  
 6" DUCTING  
 3 DROPS

DRAWN: CODY BINGAMAN

CHECKED: JIM GRAYEM

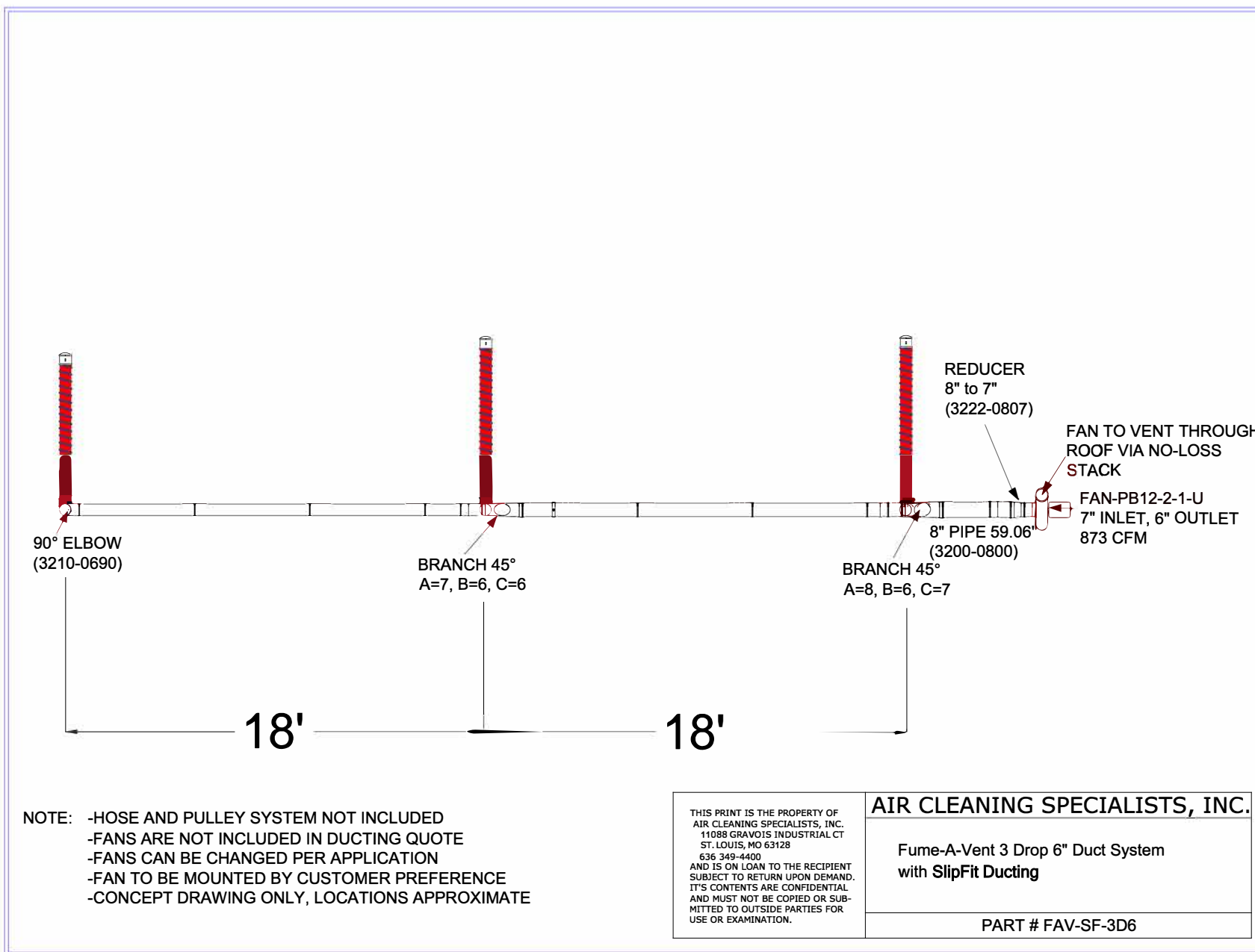
PROJECT NAME  
 SIMPLE DROP

DATE  
 1/29/14

VIEW  
 TOP

|      |         |      |
|------|---------|------|
| SIZE | DWG NO. | REV. |
| A    | 1       | 0    |

SCALE: 1:1 WEIGHT: 1 SHEET 1 OF 1



NOTE: -HOSE AND PULLEY SYSTEM NOT INCLUDED  
 -FANS ARE NOT INCLUDED IN DUCTING QUOTE  
 -FANS CAN BE CHANGED PER APPLICATION  
 -FAN TO BE MOUNTED BY CUSTOMER PREFERENCE  
 -CONCEPT DRAWING ONLY, LOCATIONS APPROXIMATE

THIS PRINT IS THE PROPERTY OF  
 AIR CLEANING SPECIALISTS, INC.  
 11088 GRAVOIS INDUSTRIAL CT  
 ST. LOUIS, MO 63128  
 636 349-4400  
 AND IS ON LOAN TO THE RECIPIENT  
 SUBJECT TO RETURN UPON DEMAND.  
 IT'S CONTENTS ARE CONFIDENTIAL  
 AND MUST NOT BE COPIED OR SUB-  
 MITTED TO OUTSIDE PARTIES FOR  
 USE OR EXAMINATION.

AIR CLEANING SPECIALISTS, INC.

Fume-A-Vent 3 Drop 6" Duct System  
 with SlipFit Ducting

PART # FAV-SF-3D6



Air Cleaning Specialists Inc.  
 11088 Gravois Ind. Ct.  
 St. Louis MO 63128  
 636-349-4400  
 636-349-0556 Fax

REF. NUMBER

12-0709-6-3

REVISIONS

0

SHEET NAME

DETAIL



DRAWING FOR:

BUDGETARY  
 6" DUCTING  
 3 DROP

DRAWN: CODY BINGAMAN

CHECKED: JIM GRAYEM

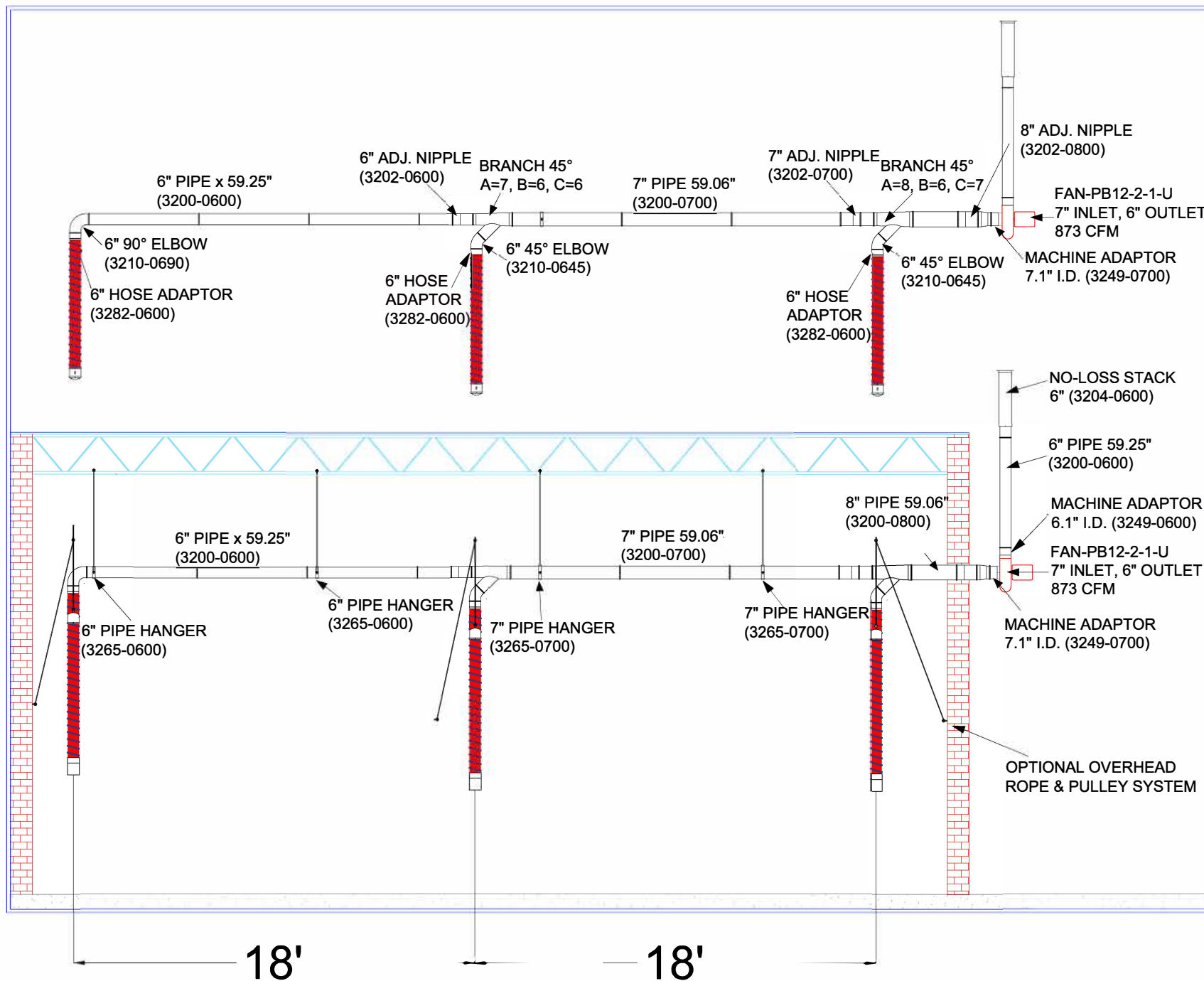
PROJECT NAME  
 SIMPLE DROP

DATE  
 1/29/14

VIEW  
 SIDE

|           |              |           |
|-----------|--------------|-----------|
| SIZE<br>A | DWG NO.<br>1 | REV.<br>0 |
|-----------|--------------|-----------|

SCALE: 1:1 WEIGHT: 1 SHEET 1 OF 1



**EDGE**  
System

**The *EDGE*<sup>®</sup>**  
Self-Sealing Round Duct System



**ACS**

Air Cleaning Specialists, Inc.

(800) 878-5030

# The EDGE® – Features, Benefits & Materials

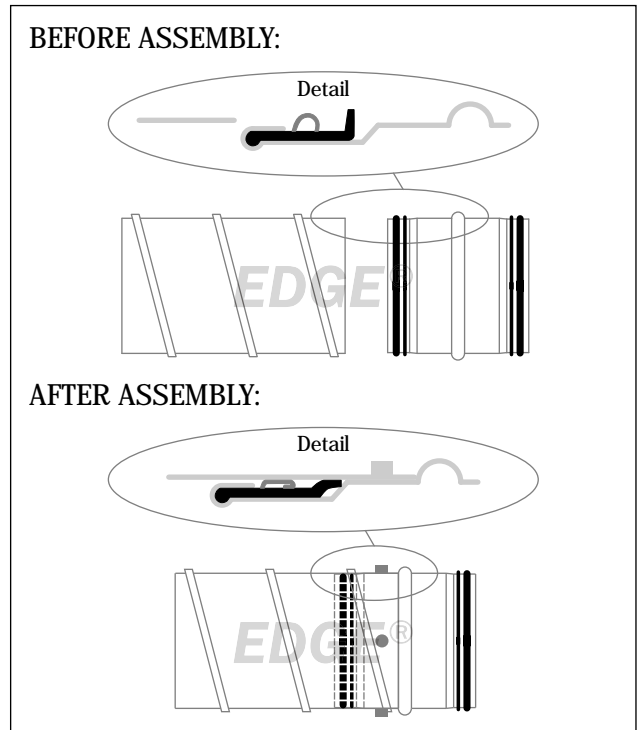
The EDGE® System will eliminate the sealing of all connections in your spiral pipe system. This system will not only provide a labor savings for the installer, it is a high efficient duct system and also great for exposed systems.

## FEATURES

- 1 All fittings will have a factory installed EPDM gasket, which has an operating temperature rating of -20°F to 212°F.
- 1 The smoke and flame spread rating is 0/0.
- 1 The gasket construction is of a black EPDM base with a wiper for machine application and a green EPDM hollow seal that will act as the sealing section.
- 1 The gasket is attached to the fitting with a 180° hemmed edge that will hold the gasket in place, as shown in the diagrams to the right.
- 1 The connections are secured with self-tapping sheet metal screws per SMACNA standards.
- 1 The EDGE® System allows for substantial space for insertion of the screws, because the gasket is located on the leading EDGE of the fitting. (NOTE: The use of sheet metal screws with a rubber gasket would insure that all screw holes are sealed as well.
- 1 The EDGE® System has been tested in accordance to SMACNA's Air Duct Leakage Test Manual and meets SMACNA Class 3 leakage standards.

## BENEFITS

- 1 Stronger fitting
- 1 Eliminates sharp edge
- 1 Consistent diameter
- 1 Factory installed resulting in a cost savings
- 1 The EDGE® gasket is treated with anti-friction coating for easy installation.



# The EDGE® – Fittings & Materials

Fittings: 4" - 10" (all sizes), 12" - 60" (even sizes only)

Materials: Galvanized, Galvaneal, Stainless Steel Type 304 & 316, Aluminum.

All fittings will be fabricated, except for Galvanized Stamped Fittings® listed below:

|                    |   |
|--------------------|---|
| Elbows             | 4" - 12" = Stamped/Stitch Welded  |
| Reducers           | 4" - 18" = Spun   |
| Bellmouths         | 4" - 12" = Stamped<br>14" - 36" = Spun  |
| 90° Tee            | 4" - 12" = Fabricated body with Stamped Saddle Tap  |
| 90° Tap            | 4" - 12" = Stamped  |
| All Other Fittings | Any fitting can be fabricated with gasket attached.<br>All products will be fabricated per SMACNA standards and gauges.<br>All fabricated fittings conform to SPIDA dimensional data. |

# The EDGE® – Construction

## CONSTRUCTION (GAUGE):

- 1 All duct and fittings are made per SMACNA's Duct Construction Standards (+10" W.G.).
- 1 Stamped Fittings are all 22 or 24 gauge. Spun Fittings are all 20 gauge.
- 1 The following table shows diameter and gauges:

| Diameter  | Spiral Duct | Fabricated Fittings |
|-----------|-------------|---------------------|
| 4" - 24"  | 26 ga.      | 24 ga.              |
| 26" - 36" | 24 ga.      | 22 ga.              |
| 38" - 60" | 22 ga.      | Please Specify      |

| Stamped Fittings® | 4"     | 5"     | 6"     | 7"     | 8"     | 9"     | 10"    | 12"    | 14" - 36" |
|-------------------|--------|--------|--------|--------|--------|--------|--------|--------|-----------|
| GDSE              | 24 ga. | 22 ga. | 22 ga. | 22 ga. | 22 ga. | 22 ga. | 22 ga. | 22 ga. | N/A       |
| GDSE1             | 24 ga. | 24 ga. | 24 ga. | 24 ga. | 24 ga. | 24 ga. | 24 ga. | 22 ga. | N/A       |
| GDST              | 24 ga. | 24 ga. | 24 ga. | 24 ga. | 24 ga. | 24 ga. | 24 ga. | 24 ga. | N/A       |
| GBT0 - stamped    | 24 ga. | 24 ga. | 24 ga. | 24 ga. | 24 ga. | 24 ga. | 24 ga. | 24 ga. | N/A       |
| GBT0 - spun       | N/A    | N/A    | N/A    | N/A    | N/A    | N/A    | N/A    | N/A    | 20 ga.    |
| GSPR - spun       | 20 ga. | 20 ga. | 20 ga. | 20 ga. | 20 ga. | 20 ga. | 20 ga. | 20 ga. | 20 ga.    |

## CONSTRUCTION (PIPE):

- 1 Spiral pipe
- 1 Calibration of spiral is required by The EDGE® System manufacturer, Stamped Fittings Inc.

## CONSTRUCTION (FITTINGS):

All EDGE® fittings, 4"– 60", will have a factory installed gasket that is attached to the fitting with a 180° hemmed edge for strength, rigidity and maintaining proper tolerances.

## CONSTRUCTION (GASKET):

- 1 The EDGE® gasket consists of a two-part EPDM rubber sealing material.
- 1 The base EPDM (black material) is classified according to ASTM D2000-86 M3BA 810 B13 C12 F17.
- 1 The sealing EPDM (green material) is classified according to ASTM D2000-86 M8BA 507 B13 C12.
- 1 The operating temperature is -20°F to 212°F.
- 1 The smoke and flame spread is in accordance to ASTM E-84-91A.

## PRESSURE CLASS:

- 1 The EDGE® System has been tested and meets the requirements of SMACNA's Leakage Class 3.

## JOINT CONNECTIONS:

- 1 All fittings are manufactured to slip fit into spiral duct. Any fitting to fitting connection can use a fitting coupling.

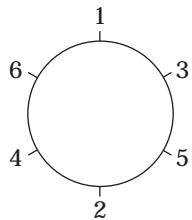
# The EDGE® – Installation Instructions

The EDGE® System fittings are made to fit tight, assuring a proper seal. Care should be taken when handling these fittings as damage could result in an improper fit and a difficult installation process.



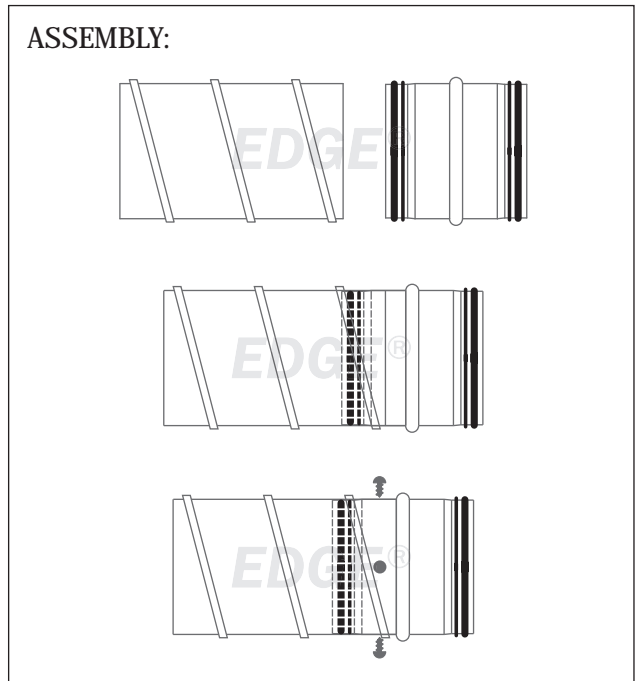
## WHEN INSTALLING:

1. Place the hemmed EDGE of the fitting in the spiral pipe then apply pressure and the fitting will slip into place, stopping at the bead/pipe stop.
2. Placement of the fastening screws should be opposite from one another, evenly spaced around the circumference (see diagram). Screws should be placed approximately 1/2" from the bead in order to avoid damaging The EDGE® gasket. In the event of incorrect installation, holes caused by the screws must be sealed before reassembly.
3. Quantities and sizes to be used are listed in the table below.



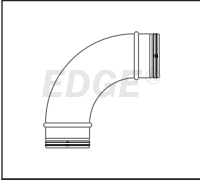
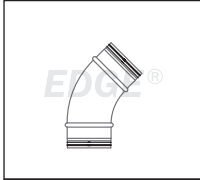
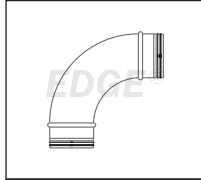
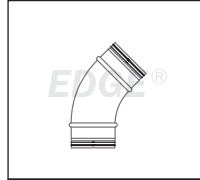
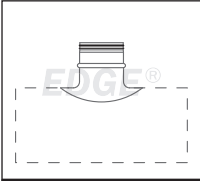
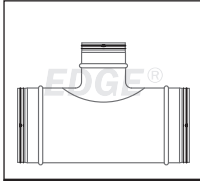
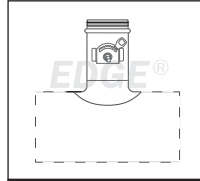
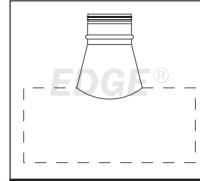
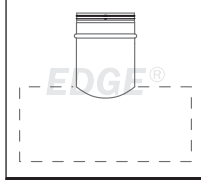

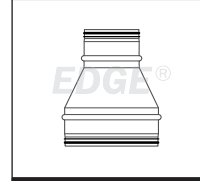



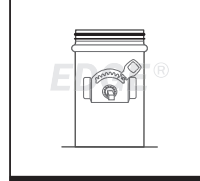
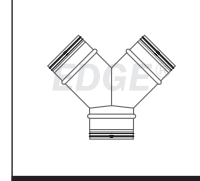
| Spiral Duct Diameter | Screw Diameter | Quantity |
|----------------------|----------------|----------|
| 3" - 5"              | 1/8"           | 2        |
| 6" - 10"             | 1/8"           | 3        |
| 12" - 24"            | 1/8"           | 4        |
| 26" - 36"            | 1/8"           | 6        |

4. Always start the first fastener at the largest radial gap between fitting and duct. Be sure to achieve even distribution around the circumference.



Patent Pending US 2006-0006610A1

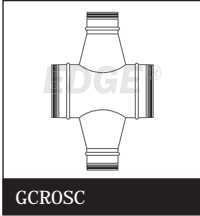
# The EDGE® – Products

|   |   |  |   |   |   |
|---|---|--|---|---|---|
| <br>GDSE90 | <br>GDSE45 | <br>GDSE190 | <br>GDSE145 | <br>GE90/GE190 | <br>GE45/GE145 |
| <br>GDST   | <br>GTDST  | <br>GDSTRT  | <br>GDSTD   | <br>GC         | <br>GCT        |
| <br>GCRT   | <br>GCD    | <br>GST     | <br>GT      | <br>GSRT       | <br>GSTD       |
| <br>GL   | <br>GLT  | <br>GLRT  | <br>GLD   | <br>GSPR     | <br>GR       |
| <br>GER  | <br>GCTO | <br>GBTO  | <br>GBTOD | <br>GPC      | <br>GD       |
| <br>FC   | <br>GEP  | <br>GBRT  | <br>GSTO  | <br>GSTOD    | <br>GY       |

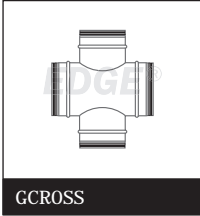
# The EDGE® – Products



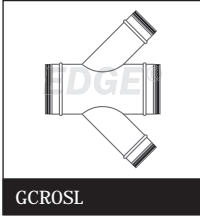
GRY



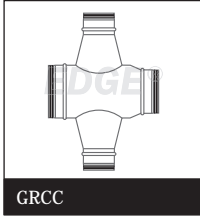
GCROSC



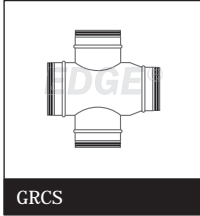
GCROSS



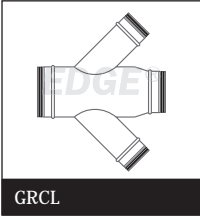
GCROSL



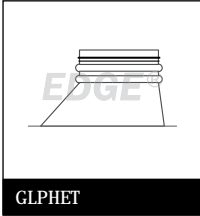
GRCC



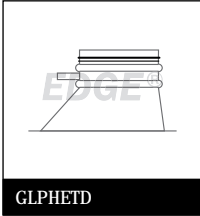
GRCS



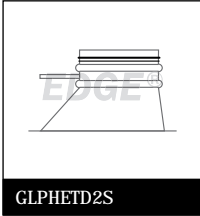
GRCL



GLPHET



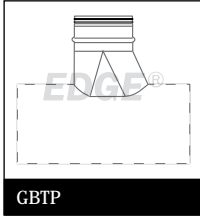
GLPHETD



GLPHETD2S



GLPHETDHD

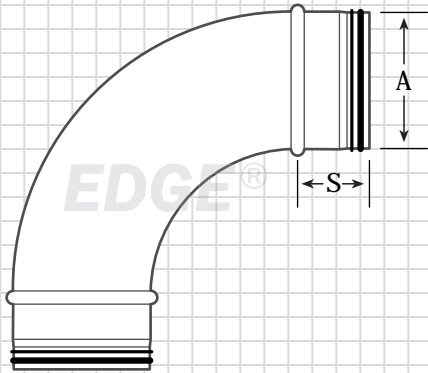


GBTP

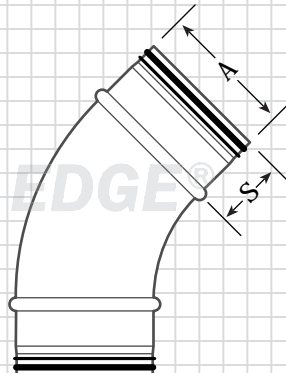


# The EDGE® – Product Specifications

Gasket 90° Die Stamped 1.5  
CLR Elbow (GDSE90)

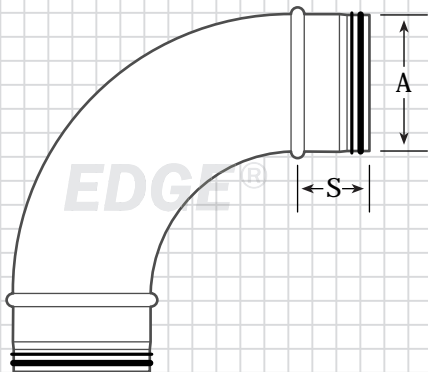


Gasket 45° Die Stamped 1.5  
CLR Elbow (GDSE45)

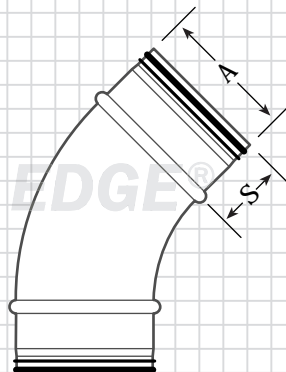


| A   | S  |
|-----|----|
| 4"  | 2" |
| 5"  | 2" |
| 6"  | 2" |
| 7"  | 2" |
| 8"  | 2" |
| 9"  | 2" |
| 10" | 2" |
| 12" | 2" |

Gasket 90° Die Stamped 1.0  
CLR Elbow (GDSE190)



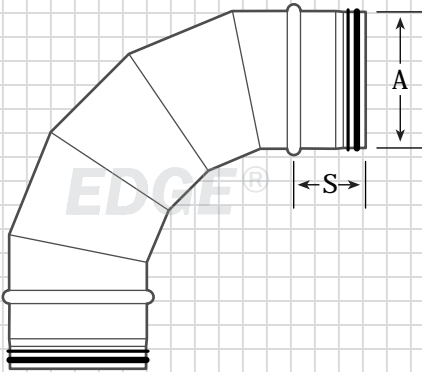
Gasket 45° Die Stamped 1.0  
CLR Elbow (GDSE145)



| A   | S  |
|-----|----|
| 4"  | 2" |
| 5"  | 2" |
| 6"  | 2" |
| 7"  | 2" |
| 8"  | 2" |
| 9"  | 2" |
| 10" | 2" |
| 12" | 2" |

## Gasket Gorelocked Elbows

### Gasket 90° 5-Piece 1.5 CLR Elbow (GE90)



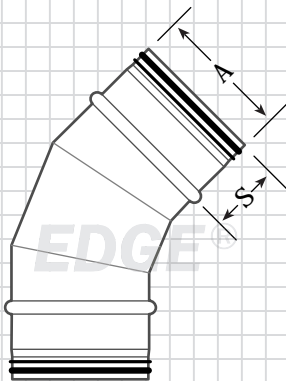
### Options Available

- n Specify CLR (1.5, 1.0, etc.)
- n Specify Degree (15°, 22.5°, 30°, 45°, 60°, 90°, etc.)
- n Up to 30° = 2 Piece
- n 30°+ up to 60° = 3 Piece
- n 60°+ up to but not including 90° = 4 Piece
- n 90° = 5 Piece

### Key

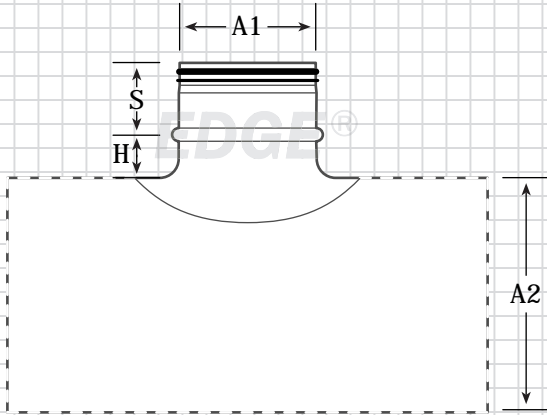
A = 4" - 10" (all sizes), 12" - 60" (even sizes only)  
S = 2"

### Gasket 45° 3-Piece 1.5 CLR Elbow (GE45)



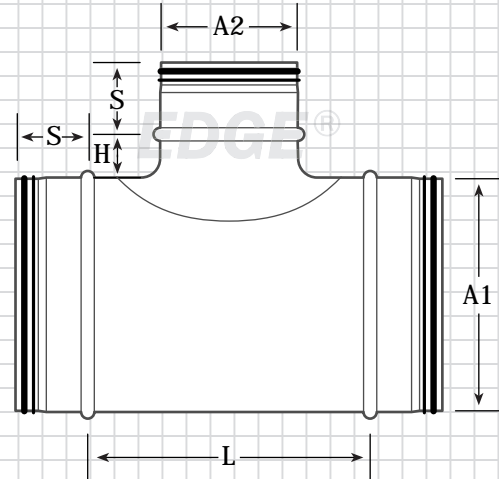
# The EDGE® – Product Specifications

## Gasket 90° Die Stamped Saddle Tap (GDST)

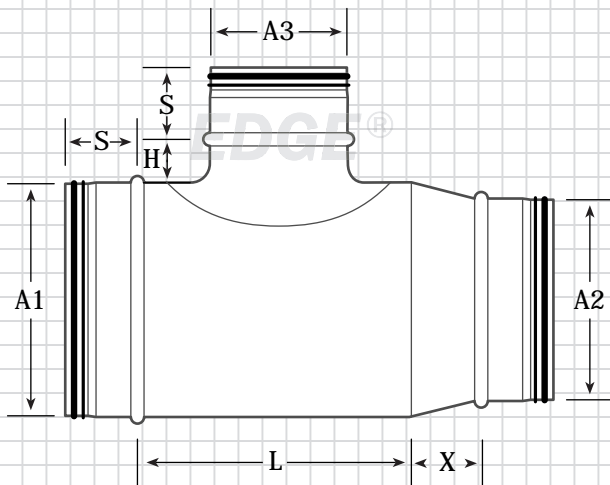


\* Field installed fitting

## Gasket 90° Tee with Die Stamped Saddle Tap (GTDST)



## Gasket 90° Reducing Tee with Die Stamped Saddle Tap (GDSTRT)



### Key (GDST)

A1 = 4", 5", 6", 8", 10", 12"  
 A2 = Up to 24" (A2 is greater than or equal to A1)  
 S = 2"  
 H = 3/4" (where A1 = 6" or less),  
 1" (where A1 = 8" or more)

### Key (GTDST)

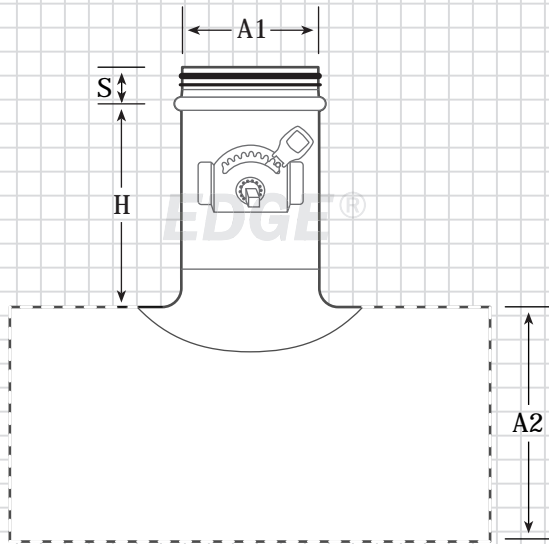
A1 = Up to 24" (A1 is greater than or equal to A2)  
 A2 = 4", 5", 6", 8", 10", 12"  
 S = 2"  
 H = 3/4" (where A1 = 6" or less),  
 1" (where A1 = 8" or more)  
 L = A2 + 4"

### Key (GDSTRT)

A1 = Up to 24" (A1 is greater than or equal to A3)  
 A2 = Up to 24" (A2 is less than A1)  
 A3 = 4", 5", 6", 8", 10", 12"  
 S = 2"  
 H = 3/4" (where A3 = 6" or less),  
 1" (where A3 = 8" or more)  
 L = A3 + 4"  
 X = A1 - A2 (4" minimum)

# The EDGE<sup>®</sup> – Product Specifications

## Gasket 90° Die Stamped Saddle Tap with Damper (GDSTD)



\* Field installed fitting

### Key (GDSTD)

A1 = 4", 5", 6", 8", 10", 12"

A2 = Up to 24" (A2 is greater than or equal to A1)

S = 2"

H = 7 - 1/2" (for 4")

7 - 3/8" (for 5")

8 - 1/4" (for 6")

8 - 1/2" (for 8", 10" & 12")

### Features

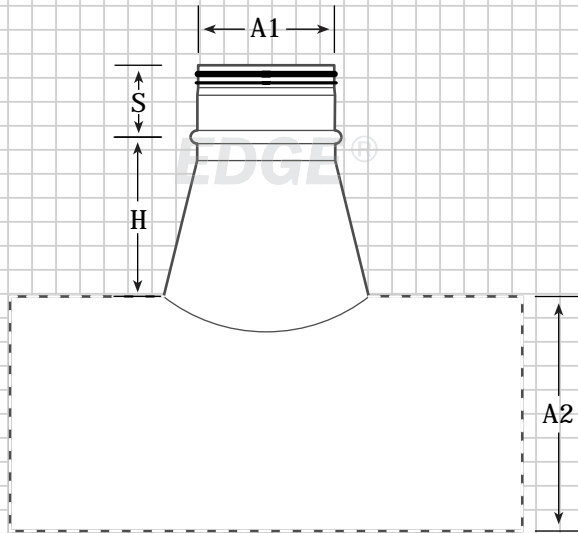
- 1 22 Gauge galvanized body

### Low-Leakage Dampers

- 1 2" Stand-off
- 1 Nylon bushings
- 1 Locking handle for adjustment of damper - ease of balancing
- 1 3/8" Continuous square rod through damper

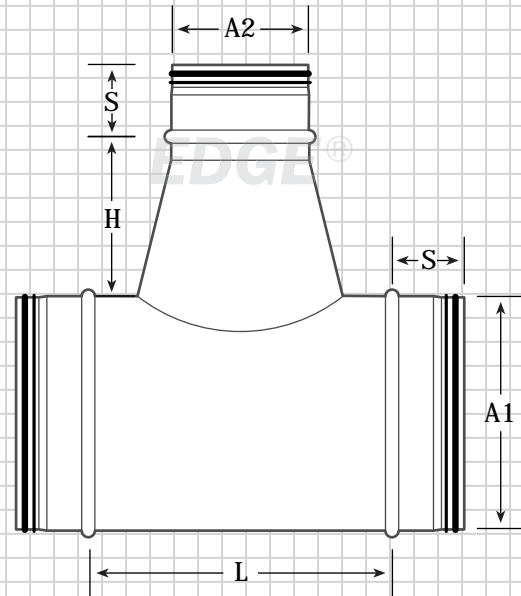
# The EDGE® – Product Specifications

## Gasket 90° Conical (GC)

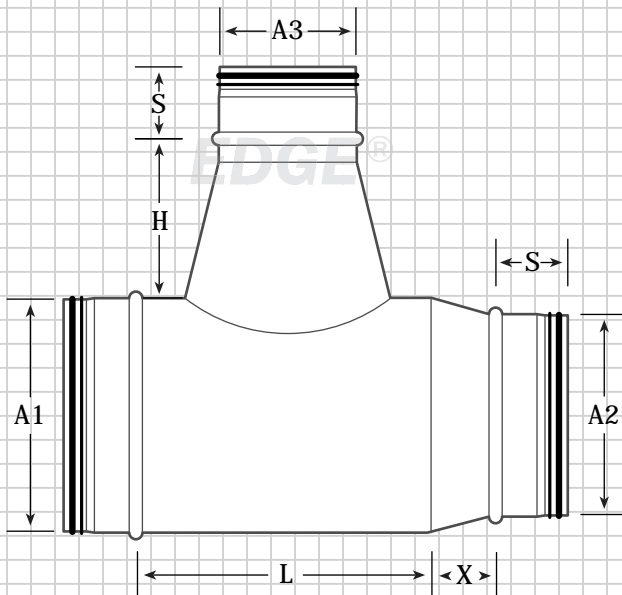


\* Field installed fitting

## Gasket 90° Conical Tee (GCT)



## Gasket 90° Conical Reducing Tee (GCRT)



### Key (GC)

Sizes Available for A1:  
 4" - 10" (all sizes), 12" - 60" (even sizes only)  
 A2 is greater than A1  
 S = 2"  
 H = 6"

### Key (GCT)

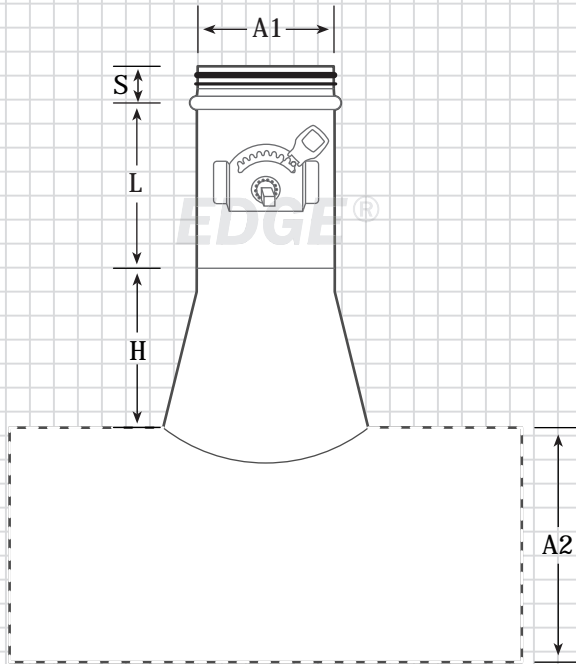
Sizes Available for A1 & A2:  
 4" - 10" (all sizes), 12" - 60" (even sizes only)  
 A1 is greater than A2  
 S = 2"  
 H = 5-1/4"  
 L = A2 + 4"

### Key (GCRT)

Sizes Available for A1, A2 & A3:  
 4" - 10" (all sizes), 12" - 60" (even sizes only)  
 A1 is greater than A3  
 A2 is less than A1  
 S = 2"  
 H = 5-1/4"  
 L = A3 + 4"  
 X = A1 - A2 (4" minimum)

# The EDGE® – Product Specifications

## Gasket 90° Conical with Damper (GCD)



\* Field installed fitting

## Key (GCD)

Sizes Available for A1:

4" - 10" (all sizes), 12" - 36" (even sizes only)

A2 is greater than A1

S = 2"

H = 6"

L = 4"

## Features

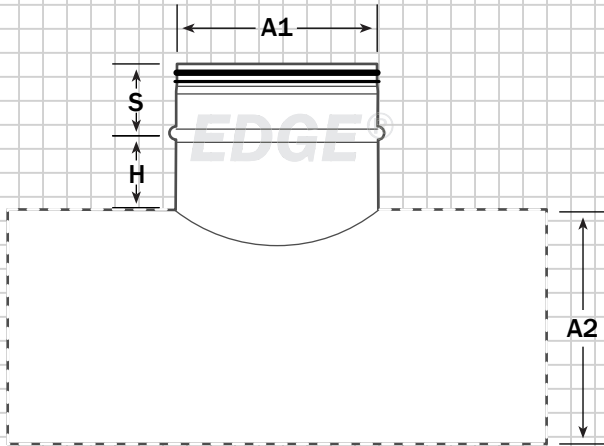
- 1 22 Gauge galvanized body

## Low-Leakage Dampers

- 1 2" Stand-off
- 1 Nylon bushings
- 1 Locking handle for adjustment of damper - ease of balancing
- 1 3/8" Continuous square rod through damper

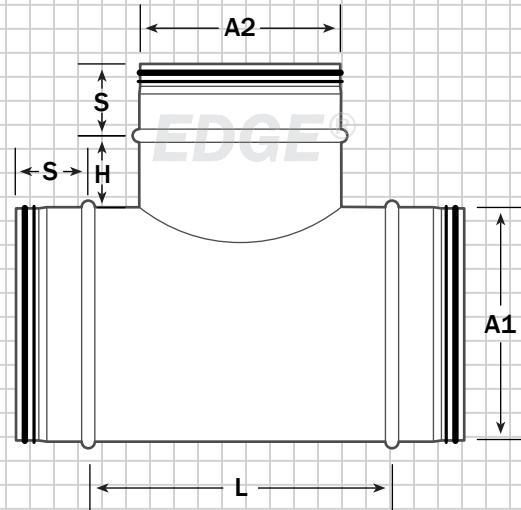
# The EDGE® – Product Specifications

## Gasket Straight Tap (GST)

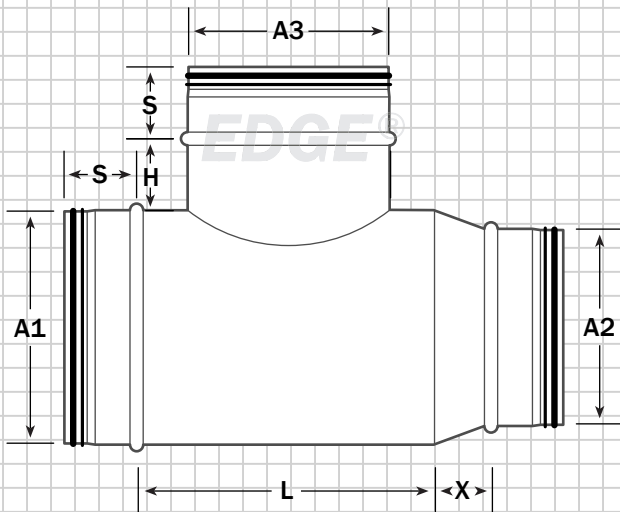


\* Field installed fitting

## Gasket 90. Tee (GT)



## Gasket 90. Straight Reducing Tee (GSRT)



### Key (GST)

Sizes Available for A1:  
 4"- 10" (all sizes), 12"- 60" (even sizes only)  
 A2 is greater than or equal to A1  
 S = 2"  
 H = 2"

### Key (GT)

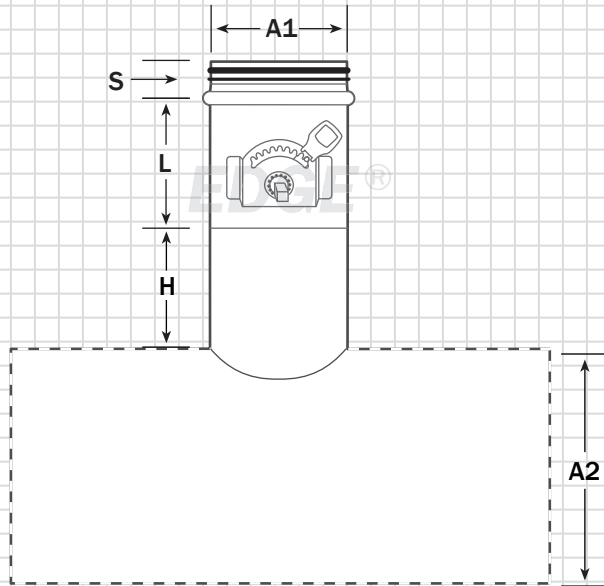
Sizes Available for A1 & A2:  
 4"- 10" (all sizes), 12"- 60" (even sizes only)  
 A1 is greater than or equal to A2  
 S = 2"  
 H = 2"  
 L = A2 + 4"

### Key (GSRT)

Sizes Available for A1, A2 & A3:  
 4"- 10" (all sizes), 12"- 60" (even sizes only)  
 A1 is greater than or equal to A3  
 A2 is less than A1  
 S = 2"  
 H = 2"  
 L = A3 + 4"  
 X = A1 - A2 (4" minimum)

# The EDGE® – Product Specifications

## Gasket 90 Straight Tap with Damper (GSTD)



\* Fieldinstalled fitting

## Key (GSTD)

Sizes Available for A1:  
4" - 10" (all sizes), 12" - 36" (even sizes only)  
A2 is greater than or equal to A1  
S = 2"  
H = 4"  
L = 4"

## Features

- 22Gauge galvanized body

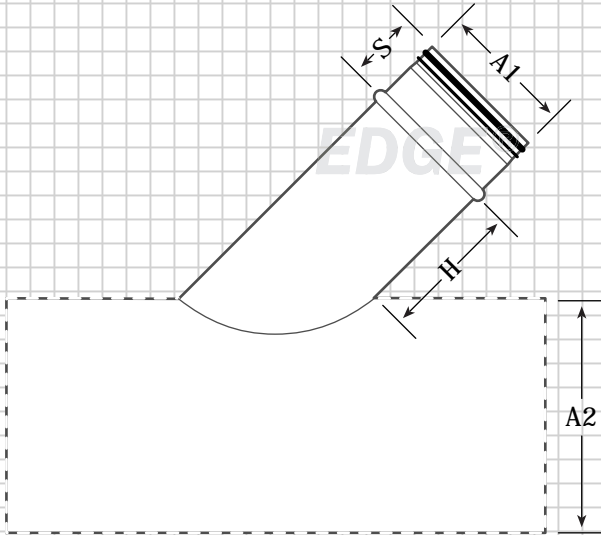
## Low-Leakage Dampers

- 2" Stand-off
- Nylon bushings
- Locking handle for adjustment of damper - ease of balancing
- 3/8" Continuous square rod through damper



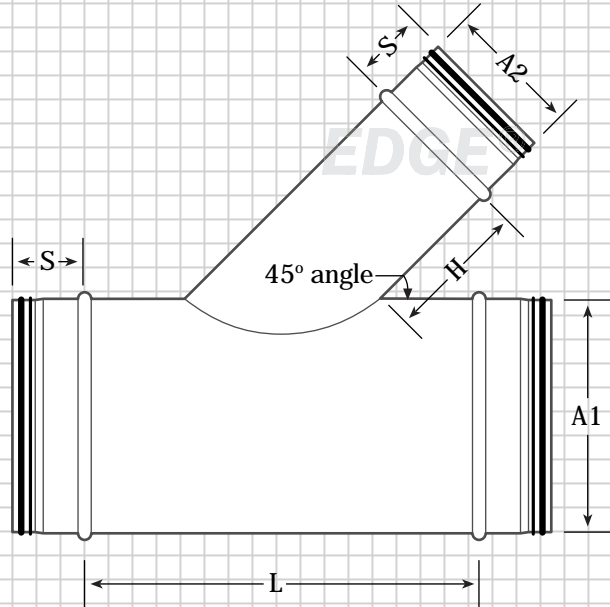
# The EDGE® – Product Specifications

## Gasket 45° Lateral (GL)

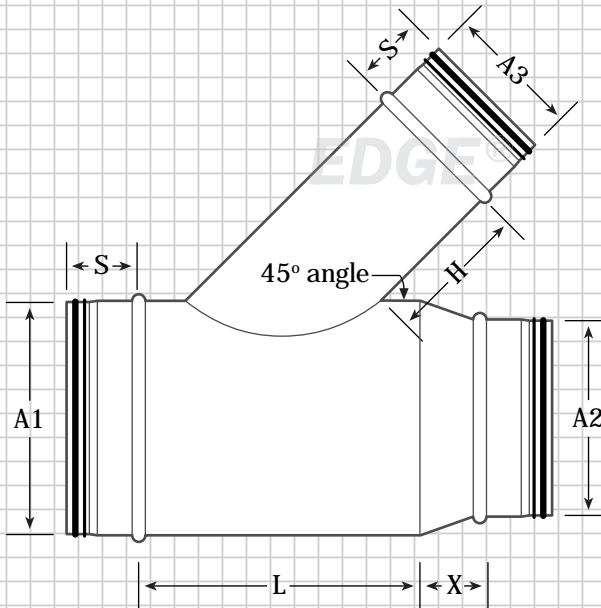


\* Field installed fitting

## Gasket 45° Lateral Tee (GLT)



## Gasket 45° Lateral Reducing Tee (GLRT)



### Key (GL)

Sizes Available for A1:  
 4" - 10" (all sizes), 12" - 60" (even sizes only)  
 A2 is greater than or equal to A1  
 S = 2"  
 H = 4"

### Key (GLT)

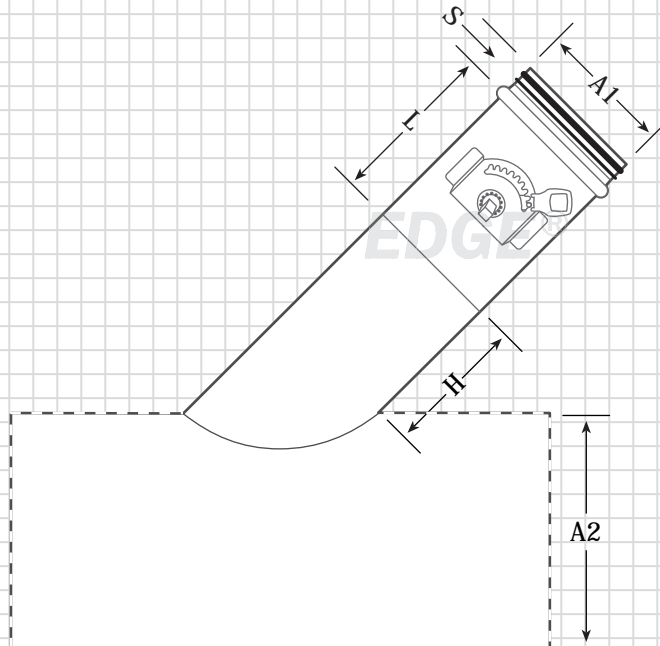
Sizes Available for A1 & A2:  
 4" - 10" (all sizes), 12" - 60" (even sizes only)  
 A1 is greater than or equal to A2  
 S = 2"  
 H = 4"  
 $L = (A2 \times 1.414) + 4"$

### Key (GLRT)

Sizes Available for A1, A2 & A3:  
 4" - 10" (all sizes), 12" - 60" (even sizes only)  
 A1 is greater than or equal to A3  
 A2 is less than A1  
 S = 2"  
 H = 4"  
 $L = (A3 \times 1.414) + 4"$   
 $X = A1 - A2$  (4" minimum)

# The EDGE® – Product Specifications

## Gasket 45° Lateral with Damper (GLD)



\* Field installed fitting

### Key (GLD)

Sizes Available for A1:

4" - 10" (all sizes), 12" - 36" (even sizes only)

A2 is greater than or equal to A1

S = 2"

H = 4"

L = 4"

### Features

1 22 Gauge galvanized body

### Low-Leakage Dampers

1 2" Stand-off

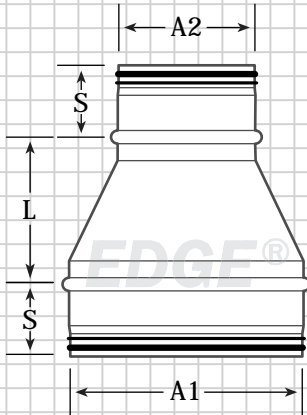
1 Nylon bushings

1 Locking handle for adjustment of damper - ease of balancing

1 3/8" Continuous square rod through damper

# The EDGE<sup>®</sup> – Product Specifications

## Gasket Spun Reducer-Concentric (GSPR)



If the difference between A1 and A2 is equal to or greater than 6" and/or A1 is greater than 24", please specify as Gasket Concentric Reducer (GR). This item will be fabricated and not spun.

### Key

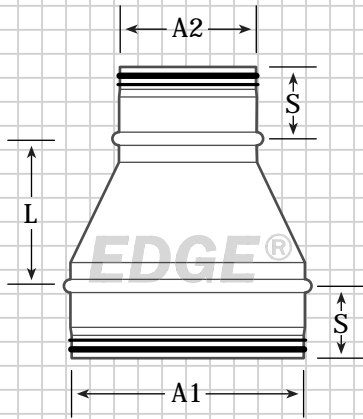
S = 2"  
L = 4" (minimum)

| A1 | A2 | A1  | A2  |
|----|----|-----|-----|
| 4" | 3" | 10" | 5"  |
| 5" | 3" | 10" | 6"  |
| 5" | 4" | 10" | 7"  |
| 6" | 3" | 10" | 8"  |
| 6" | 4" | 10" | 9"  |
| 6" | 5" | 12" | 7"  |
| 7" | 3" | 12" | 8"  |
| 7" | 4" | 12" | 9"  |
| 7" | 5" | 12" | 10" |
| 7" | 6" | 14" | 9"  |
| 8" | 4" | 14" | 10" |
| 8" | 5" | 14" | 12" |
| 8" | 6" | 16" | 12" |
| 8" | 7" | 16" | 14" |
| 9" | 5" | 18" | 14" |
| 9" | 6" | 18" | 16" |
| 9" | 7" |     |     |
| 9" | 8" |     |     |

4" x 3", 5" x 3", 6" x 3", and 7" x 3" will not have a gasket on the 3" end

# The EDGE® – Product Specifications

## Gasket Concentric Reducer (GR)



## Key (GR)

Sizes Available for A1 & A2:

4" - 10" (all sizes), 12" - 60" (even sizes only)

S = 2"

L = 4" if the change in diameter (A1 - A2) is less than 6"

n If the change in diameter (A1 - A2) is greater than or equal to 6" then L= A1 - A2.

n Please specify any other length, if not the standard.

## Key (GER)

Sizes Available for A1 & A2:

4" - 10" (all sizes), 12" - 60" (even sizes only)

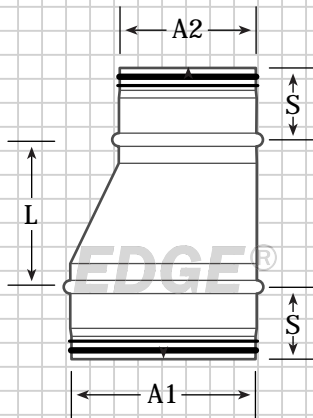
S = 2"

L = (A1 - A2) x 2 + 2"

n L minimum = 7- 3/4"

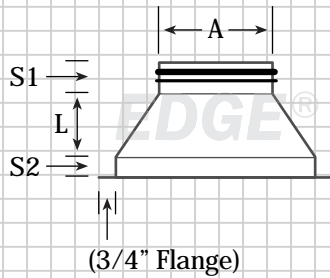
n Please specify any other length, if not the standard.

## Gasket Eccentric Reducer (GER)



# The EDGE® – Product Specifications

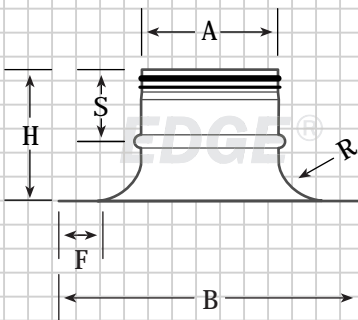
## Gasket Conical Take-off (GCTO)



## Key

A = 4" - 10" (all sizes), 12" - 22" (even sizes only)  
 S1 = 2"  
 S2 = 1- 1/4"  
 L = 4"

## Gasket Bellmouth Take-off (GBTO)

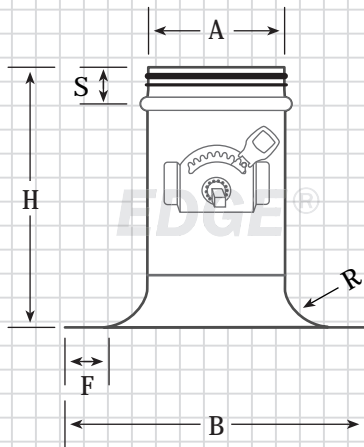


## Dimensions

| (A) | (S) | (R)   | (F)  | (H)    | (B)   |
|-----|-----|-------|------|--------|-------|
| 4"  | 2"  | .394" | 1"   | 4.5"   | 6.5"  |
| 5"  | 2"  | .472" | 1"   | 4.875" | 8.25" |
| 6"  | 2"  | .787" | 1"   | 4"     | 8.5"  |
| 7"  | 2"  | 1.0"  | 1"   | 3.25"  | 10.5" |
| 8"  | 2"  | 1.0"  | 1"   | 4"     | 11"   |
| 9"  | 2"  | 1.0"  | 1"   | 3.25"  | 13"   |
| 10" | 2"  | 1.0"  | 1"   | 4.5"   | 13.5" |
| 12" | 2"  | 1.0"  | 1"   | 5"     | 14.5" |
| 14" | 2"  | 2.0"  | 1"   | 6"     | 17"   |
| 16" | 2"  | 2.0"  | 1.5" | 8"     | 20"   |
| 18" | 2"  | 2.0"  | 1.5" | 8"     | 22"   |
| 20" | 2"  | 2.0"  | 1.5" | 8"     | 24"   |
| 22" | 2"  | 2.0"  | 1.5" | 8"     | 26"   |
| 24" | 2"  | 2.0"  | 1.5" | 8"     | 28"   |
| 26" | 2"  | 2.0"  | 1.5" | 8"     | 30"   |
| 28" | 2"  | 2.0"  | 1.5" | 8"     | 32"   |
| 30" | 2"  | 2.0"  | 1.5" | 8"     | 34"   |
| 32" | 2"  | 2.0"  | 1.5" | 8"     | 36"   |
| 34" | 2"  | 2.0"  | 1.5" | 8"     | 38"   |
| 36" | 2"  | 2.0"  | 1.5" | 8"     | 40"   |

# The EDGE® – Product Specifications

## Gasket Bellmouth Take-off with Damper (GBTOD)



### Features

- 1 22 Gauge galvanized body

### Low-Leakage Dampers

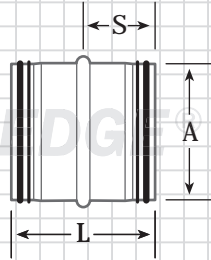
- 1 2" Stand-off
- 1 Nylon bushings
- 1 Locking handle for adjustment of damper - ease of balancing
- 1 3/8" Continuous square rod through damper

### Dimensions

| (A) | (S) | (R)   | (F)  | (H)    | (B)   |
|-----|-----|-------|------|--------|-------|
| 4"  | 2"  | .394" | 1"   | 7.625" | 6.5"  |
| 5"  | 2"  | .472" | 1"   | 7.75"  | 8.25" |
| 6"  | 2"  | .787" | 1"   | 9.25"  | 8.5"  |
| 7"  | 2"  | 1.0"  | 1"   | 8.5"   | 10.5" |
| 8"  | 2"  | 1.0"  | 1"   | 9.25"  | 11"   |
| 9"  | 2"  | 1.0"  | 1"   | 8.5"   | 13"   |
| 10" | 2"  | 1.0"  | 1"   | 10"    | 13.5" |
| 12" | 2"  | 1.0"  | 1"   | 10.5"  | 14.5" |
| 14" | 2"  | 2.0"  | 1"   | 11.25" | 17"   |
| 16" | 2"  | 2.0"  | 1.5" | 13.5"  | 20"   |
| 18" | 2"  | 2.0"  | 1.5" | 13.5"  | 22"   |
| 20" | 2"  | 2.0"  | 1.5" | 13.5"  | 24"   |
| 22" | 2"  | 2.0"  | 1.5" | 13.5"  | 26"   |
| 24" | 2"  | 2.0"  | 1.5" | 13.5"  | 28"   |
| 26" | 2"  | 2.0"  | 1.5" | 13.5"  | 30"   |
| 28" | 2"  | 2.0"  | 1.5" | 13.5"  | 32"   |
| 30" | 2"  | 2.0"  | 1.5" | 13.5"  | 34"   |
| 32" | 2"  | 2.0"  | 1.5" | 13.5"  | 36"   |
| 34" | 2"  | 2.0"  | 1.5" | 13.5"  | 38"   |
| 36" | 2"  | 2.0"  | 1.5" | 13.5"  | 40"   |

# The EDGE® – Product Specifications

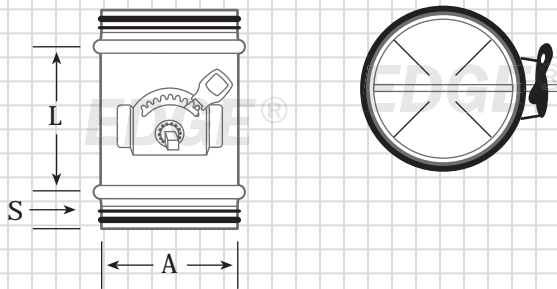
## Gasket Pipe Coupling (GPC)



## Key (GPC)

A = 4" - 10" (all sizes), 12" - 60" (even sizes only)  
 S = 2"  
 L = 4"

## Gasket Damper (GD)



## Key (GD)

A = 4" - 10" (all sizes), 12" - 36" (even sizes only)  
 S = 2"  
 L = 4"

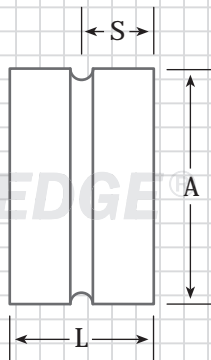
## Features

- 1 22 Gauge galvanized body

## Low-Leakage Dampers

- 1 2" Stand-off
- 1 Nylon bushings
- 1 Locking handle for adjustment of damper - ease of balancing
- 1 3/8" Continuous square rod through damper

## Fitting Coupling (FC)



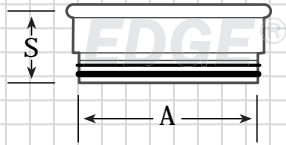
## Key (FC)

A = 4" - 10" (all sizes), 12" - 60" (even sizes only)  
 S = 2"  
 L = 4"

\* This product is pipe size for use with fitting to fitting application.

# The EDGE® – Product Specifications

## Gasket End Plug (GEP)

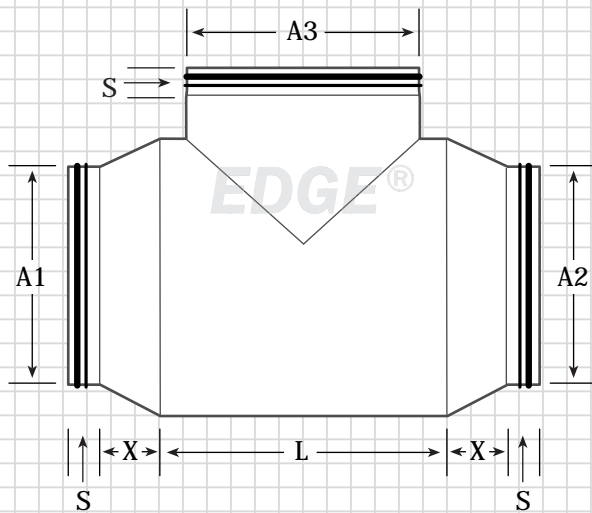


## Key (GEP)

A = 4" - 10" (all sizes), 12" - 60" (even sizes only)

S = 2"

## Gasket Reducing Bull Head Tee (GBRT)



## Key (GBRT)

S = 2"

L = A + 4"

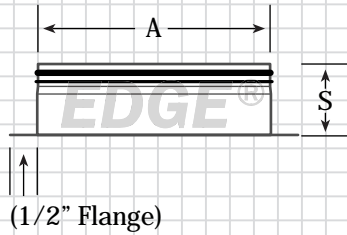
X = 4" minimum

A3 > A1 or A2

Order as: in, out, branch (A1, A2, A3)



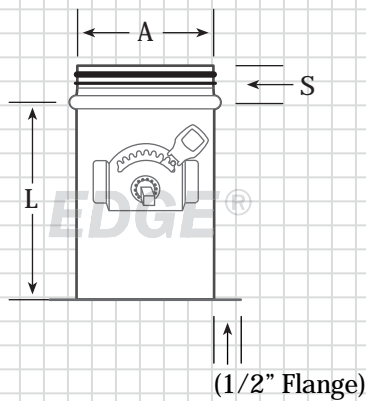
## Gasket Straight Take-off (GSTO)



## Key (GSTO)

A = 4" - 10" (all sizes), 12" - 60" (even sizes only)  
S = 2"

## Gasket Straight Take-off with Damper (GSTOD)



## Key (GSTOD)

A = 4" - 10" (all sizes), 12" and 14"  
S = 2"  
L = 8"

## Features

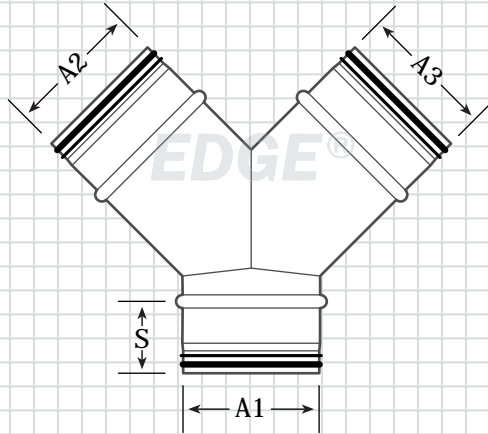
- 1 22 Gauge galvanized body
- 1 Peel & Stick gasket included

## Low-Leakage Dampers

- 1 2" Stand-off
- 1 Nylon bushings
- 1 Locking handle for adjustment of damper - ease of balancing
- 1 3/8" Continuous square rod through damper

# The EDGE<sup>®</sup> – Product Specifications

## Gasket Y Branch (GY)



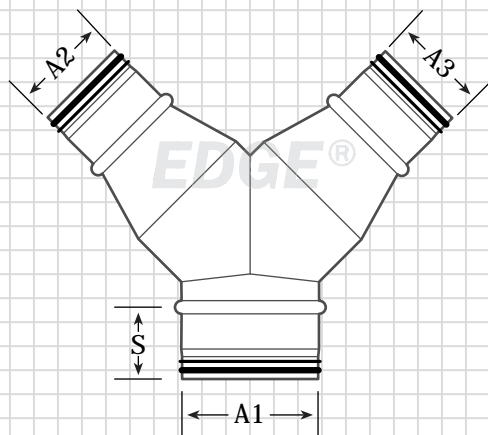
## Key

Sizes Available for A1, A2 & A3:

4" - 10" (all sizes), 12" - 60" (even sizes only)

S = 2"

## Gasket Reducing Y Branch (GRY)



## Key

Sizes Available for A1, A2 & A3:

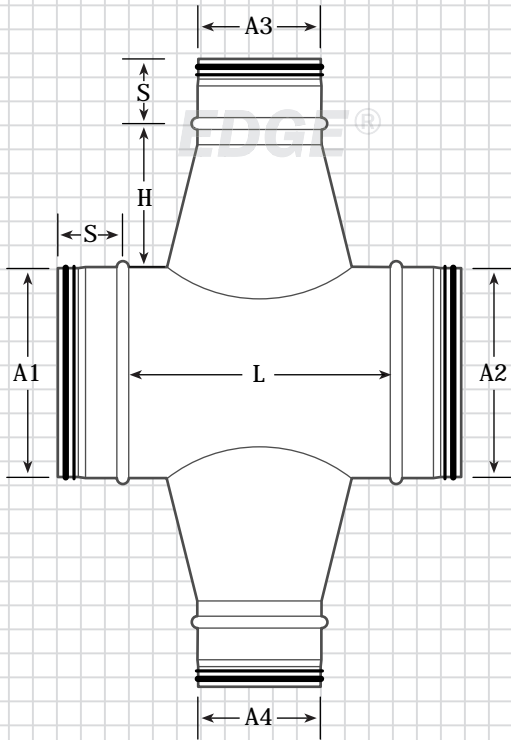
4" - 10" (all sizes), 12" - 60" (even sizes only)

A2 & A3 are less than A1

S = 2"

# The EDGE® – Product Specifications

## Gasket Conical Cross (GCROSC)



### Key (GCROSC)

Sizes Available for A1, A2, A3 & A4:  
 4" - 10" (all sizes), 12" - 60" (even sizes only)  
 A1 & A2 are greater than A3 & A4 (= 2" min.)  
 A3 is greater than or equal to A4  
 S = 2"  
 H = 4"  
 L = A3 + 4"

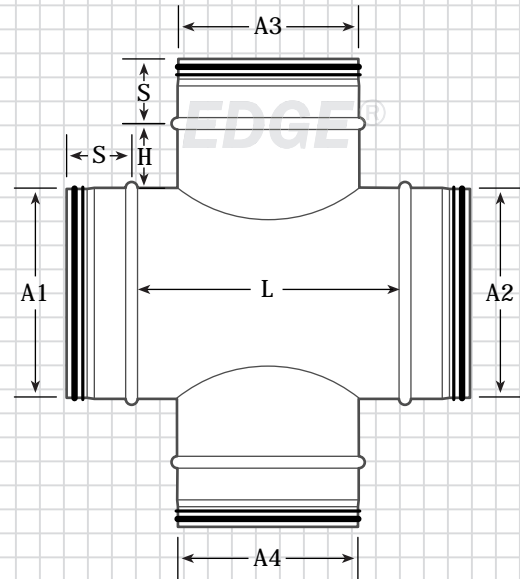
### Key (GCROSS)

Sizes Available for A1, A2, A3 & A4:  
 4" - 10" (all sizes), 12" - 60" (even sizes only)  
 A1 & A2 are greater than or equal to A3 & A4  
 A3 is greater than or equal to A4  
 S = 2"  
 H = 4"  
 L = A3 + 4"

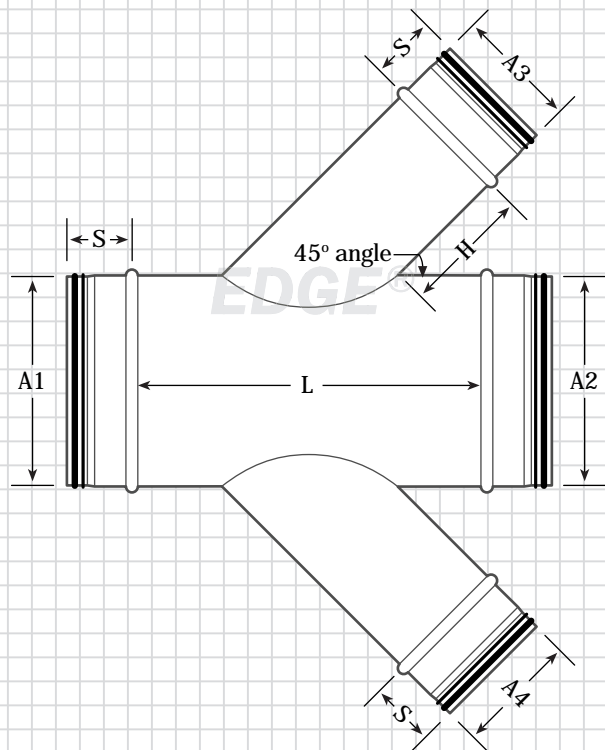
### Key (GCROSL)

Sizes Available for A1, A2, A3 & A4:  
 4" - 10" (all sizes), 12" - 60" (even sizes only)  
 A1 & A2 are greater than or equal to A3 & A4  
 A3 is greater than or equal to A4  
 S = 2"  
 H = 4"  
 L = (A3 x 1.414) + 4"

## Gasket Straight Cross (GCROSS)

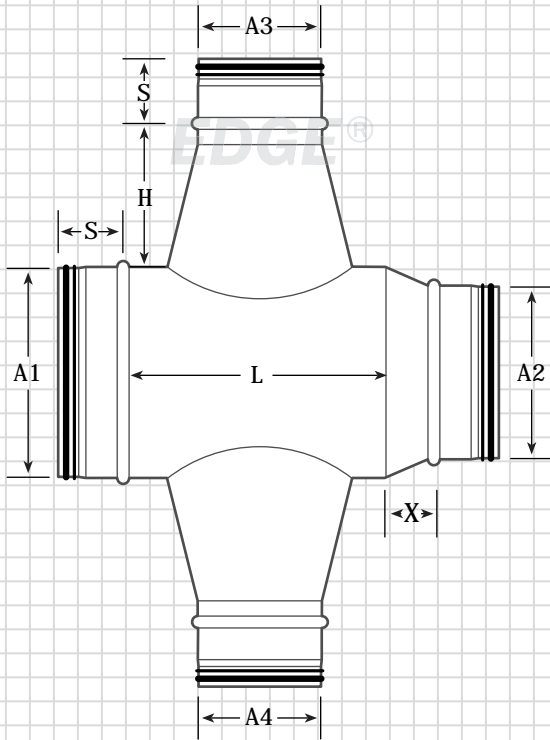


## Gasket 45° Lateral Cross (GCROSL)

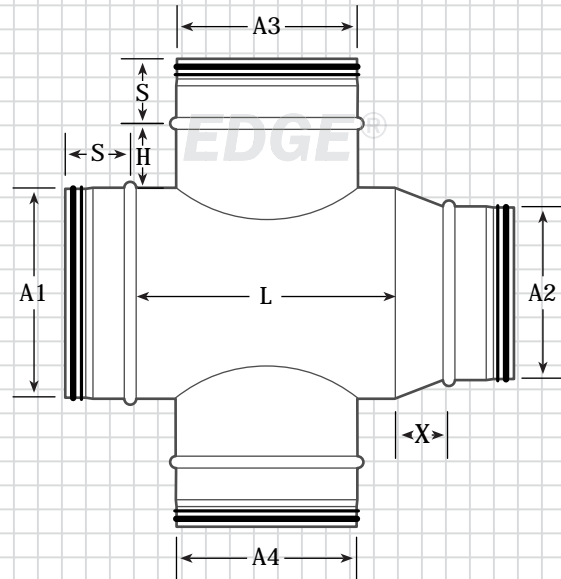


# The EDGE® – Product Specifications

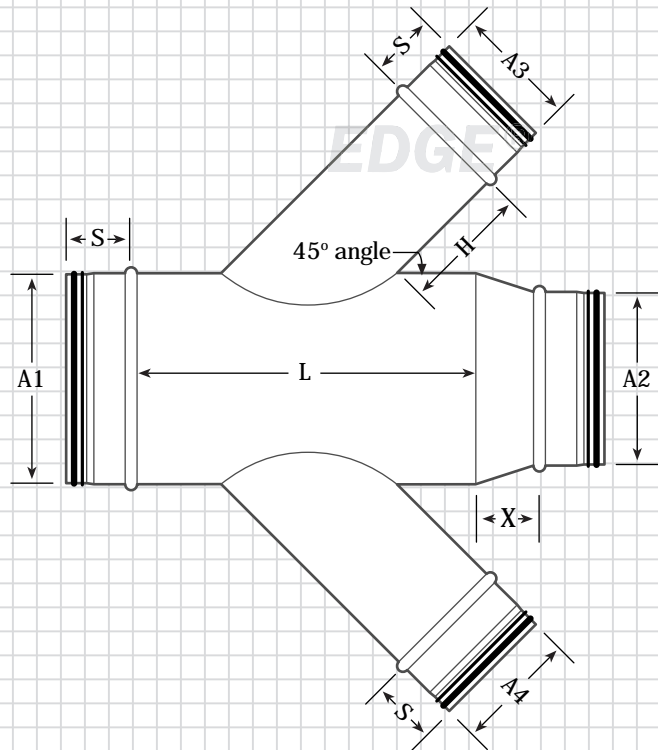
**Gasket Reducing Conical Cross (GRCC)**



**Gasket Reducing Straight Cross (GRCS)**



**Gasket Reducing 45° Lateral Cross (GRCL)**



**Key (All)**

Sizes available for A1, A2, A3 & A4:  
 4" - 10" (all sizes), 12" - 60" (even sizes only)  
 A1 is greater than A3 & A4 (= 2" min.)  
 A2 is less than A1  
 A3 is greater than or equal to A4  
 S = 2"  
 H = 4"  
 X = A1 - A2 (4" minimum)

**Key (GRCC)**

$L = A3 + 4"$

**Key (GRCS)**

$L = A3 + 4"$

**Key (GRCL)**

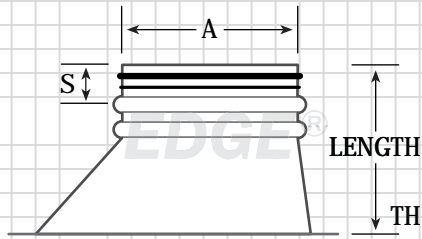
$L = (A3 \times 1.414) + 4"$

# The EDGE® – Product Specifications

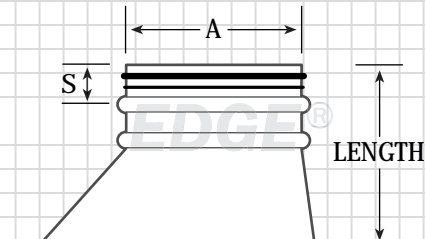
## LoPro High Efficiency Take-off

Our LoPro High Efficiency Take-off is fabricated from 24 gauge G90 galvanized steel. This product is made with a low profile design to save room when installing on flat duct and to capture maximum air flow. The connection is The EDGE® self-sealing gasket which has been tested in accordance with SMACNA's Air Duct Leakage Test Manual and meets SMACNA Class 3 leakage standards. Products come standard with a peel-and-stick on the base.

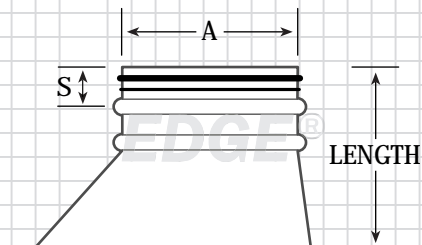
### (GLPHET) No Damper



### (GLPHETD) Standard Damper 5/8" Hardware



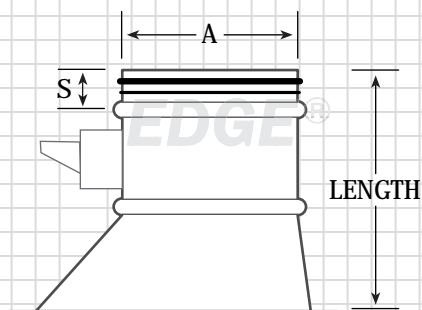
### (GLPHETD2S) Standard Damper 5/8" Hardware with 2" Extension Kit



#### Dimensions

| (A) | (S) | Inside Opening | Overall Length |
|-----|-----|----------------|----------------|
| 4"  | 2"  | 4" x 6"        | 7.5"           |
| 5"  | 2"  | 5" x 7"        | 7.5"           |
| 6"  | 2"  | 5" x 8"        | 6.5"           |
| 7"  | 2"  | 6" x 9"        | 7"             |
| 8"  | 2"  | 7" x 10"       | 7"             |
| 9"  | 2"  | 8" x 11"       | 7"             |
| 10" | 2"  | 9" x 12"       | 7"             |
| 12" | 2"  | 11" x 14"      | 7"             |
| 14" | 2"  | 13" x 16"      | 7"             |
| 16" | 2"  | 14" x 22"      | 11"            |

### (GLPHETDHD) Heavy Duty 2" Stand-off Locking Balancer Damper

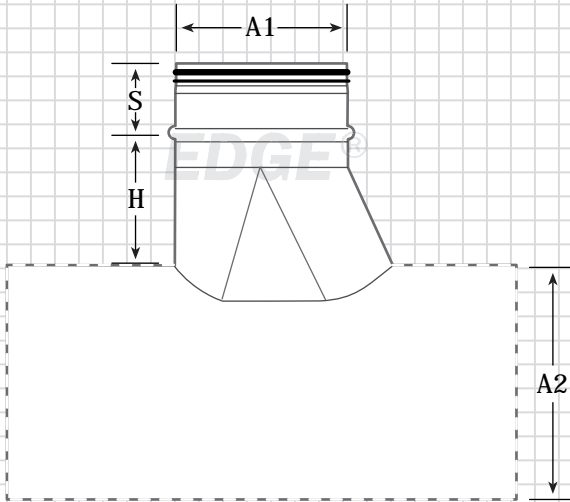


#### Dimensions

| (A) | (S) | Inside Opening | Overall Length |
|-----|-----|----------------|----------------|
| 4"  | 2"  | 4" x 6"        | 10"            |
| 5"  | 2"  | 5" x 7"        | 10"            |
| 6"  | 2"  | 5" x 8"        | 7"             |
| 7"  | 2"  | 6" x 9"        | 9"             |
| 8"  | 2"  | 7" x 10"       | 9"             |
| 9"  | 2"  | 8" x 11"       | 9"             |
| 10" | 2"  | 9" x 12"       | 9"             |
| 12" | 2"  | 11" x 14"      | 9"             |
| 14" | 2"  | 13" x 16"      | 9.5"           |
| 16" | 2"  | 14" x 22"      | 13.25"         |

# The EDGE<sup>®</sup> – Product Specifications

## Gasket Boot/Shoe Tap (GBTP)



\* Field installed fitting

## Key (GBTP)

A1 = 4" - 10" (all sizes), 12" - 60" (even sizes only)

A2 is greater than or equal to A1

S = 2"

H = 2"

## Options

Available with damper installed