

Fume-A-Vent Hose Hanging Pendulums

Date 7/12

Part No. HRC-XXX

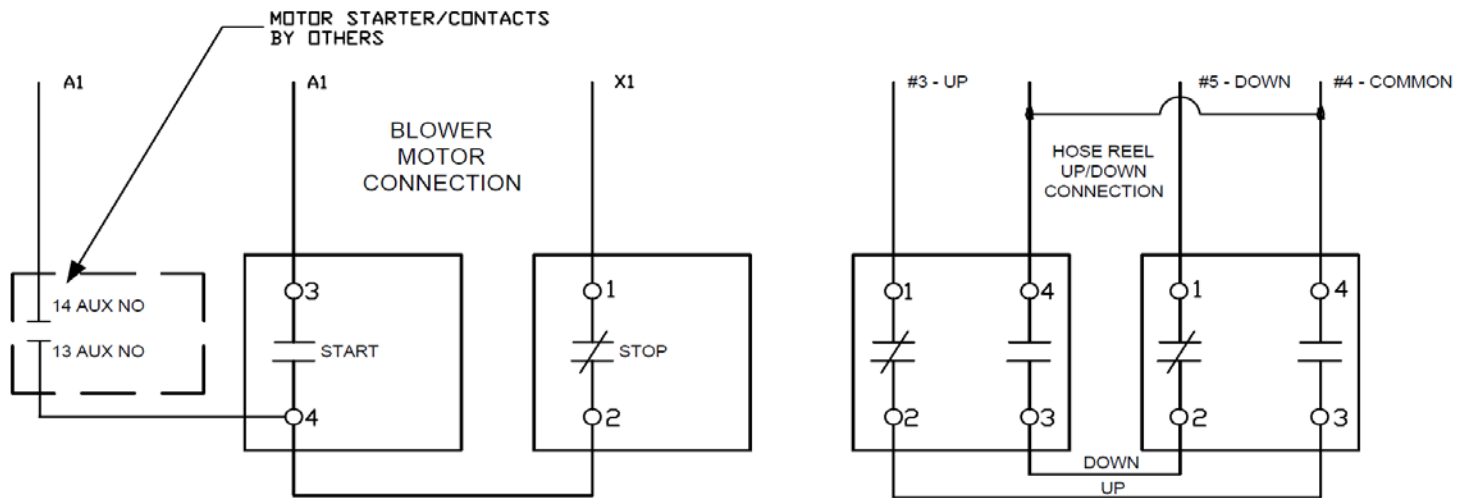
Hose Reel Controls

TAB 3-H

We offer several Hose Reel Controls and Switches to make the extraction process even easier. This page features our 4 and 2 button Pendulum for Motorized Hose Reels. These controllers make it easier access to control the motorized reels. Standard equipment is a up/down wall rocker switch. For systems with fans, a control box to automate the entire system is available.

Part Number	Description	Application
HRCM-4B	Four Button Controller for hose reels	Motorized Hose Reels
HRCM-2B	Two Button Controller for hose reels	Motorized Hose Reels

4-BUTTON HANGING PENDULUM, 4-BUTTON WALL/COLUMN MOUNT & WIRING DIAGRAM



The free hanging style is available with varying lengths of cord. The picture above shows a motorized hose reel with the 4-Button controller and the other picture features our 4-Button and 2-Button free-hanging models.