

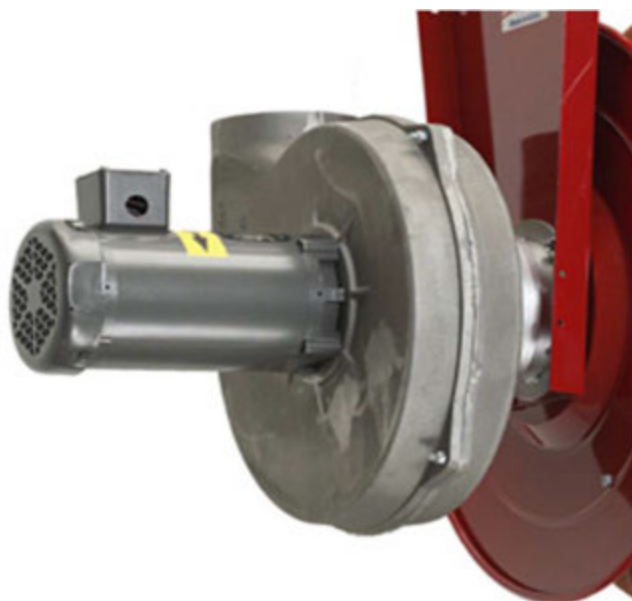
## Fume-A-Vent Direct Mount Fans for Hose Reels

Date 7/12

Part No. HRF-XX-X

Direct Mounted Fans

TAB 12-A



This special series of fans feature Direct Mounting onto our Hose Reels, and are constructed of cast aluminum for both the housing and wheel. The wheel is of radial type, professionally balanced. The motor is of TEFC type and is both UL and CSA approved, operating at 3450 RPM. These fans mount with a direct fit onto the hose reels with no adaptor needed. The hose reel connection is always 6 Inches and the Discharge Outlet is always 6 Inches.

Model	Fume-A-Vent Direct Mount Fans for Hose Reels	Wt.
HRF-05-1	Direct Drive Blower, ½ HP, 1 PH, Direct Mount to Hose Reel	48
HRF-05-3	Direct Drive Blower, ½ HP, 3 PH, Direct Mount to Hose Reel	48
HRF-1-1	Direct Drive Blower, 1 HP, 1 PH, Direct Mount to Hose Reel	54
HRF-1-3	Direct Drive Blower, 1 HP, 3 PH, Direct Mount to Hose Reel	54
HRF-1.5-1	Direct Drive Blower, 1½ HP, 1 PH, Direct Mount to Hose Reel	65
HRF-1.5-3	Direct Drive Blower, 1½ HP, 3 PH, Direct Mount to Hose Reel	65
HRF-2-1	Direct Drive Blower, 2 HP, 1 PH, Direct Mount to Hose Reel	65
HRF-2-3	Direct Drive Blower, 2 HP, 3 PH, Direct Mount to Hose Reel	75
HRF-3-1	Direct Drive Blower, 3 HP, 1 PH, Direct Mount to Hose Reel	118
HRF-3-3	Direct Drive Blower, 3 HP, 3 PH, Direct Mount to Hose Reel	118

BLOWER PERFORMANCE CFM RATINGS AT LISTED STATIC PRESSURE											
Model	HP	1"	2"	3"	4"	5"	6"	7"	8"	9"	DBA @ 5'
HRF-05-X	0.5	450	435	390	350	260	150	---	---	---	78
HRF-1-X	1.0	---	---	---	770	665	540	320	---	---	75
HRF-1.5-X	1.5	965	910	840	780	675	550	330	---	---	76
HRF-2-X	2.0	---	---	1237	1140	1070	990	915	825	735	72
HRF-3-X	3.0	1490	1420	1275	1213	1140	1070	990	915	825	79



**AIR CLEANING SPECIALISTS, INC.**  
 11088 Gravois Industrial Ct. St. Louis MO 63128  
 866 455-2132 Fax 636 349-0556  
[www.fumeavent.com](http://www.fumeavent.com) [info@fumeavent.com](mailto:info@fumeavent.com)

This drawing has been copyrighted  
 and is the property of  
 Air Cleaning Specialists, Inc.

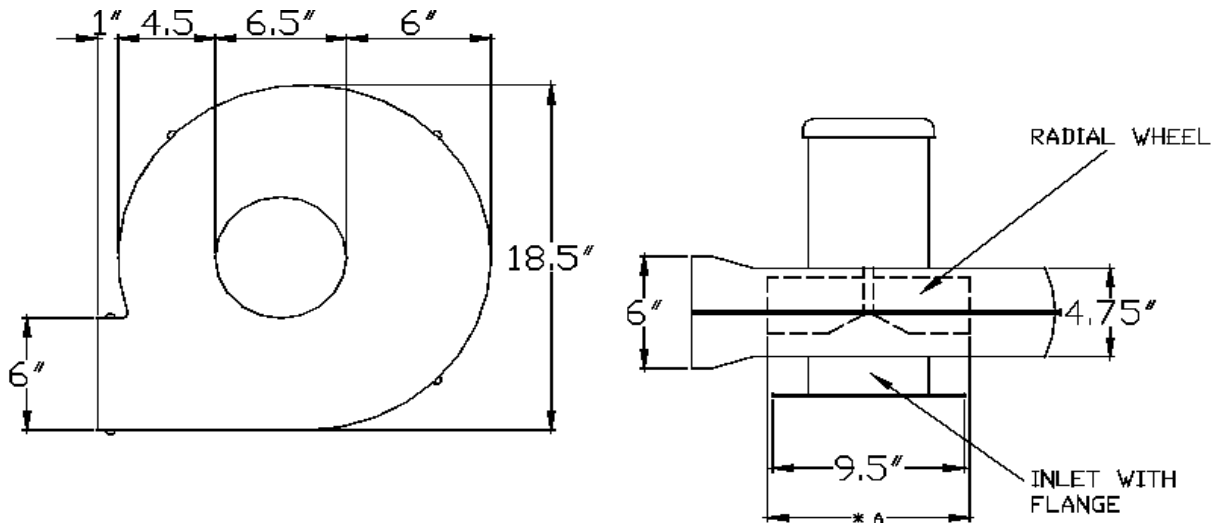
# Fume-A-Vent Direct Mount Hose Reel Fans - Information

Date 7/12

Part No. HRF-XX-X

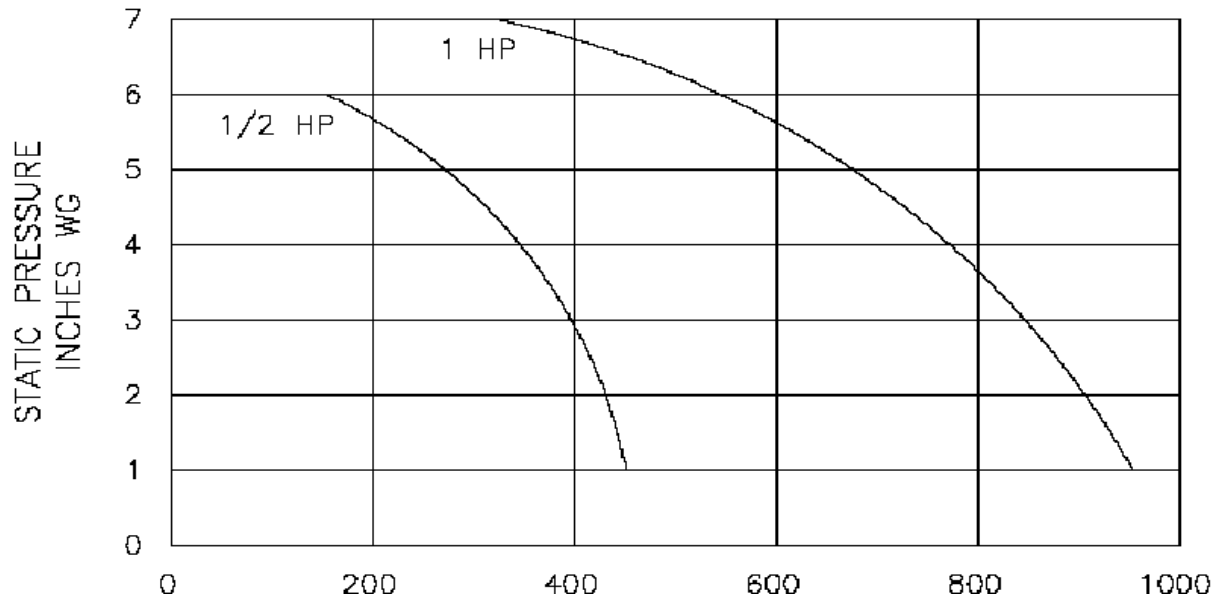
Direct Mounted Fans

TAB 12-B-3



- \* A = 10" WITH 1/2 HP MOTOR
- \* A = 11.75" WITH 1 HP MOTOR

NOTE: FAN HOUSING AND WHEEL ARE CONSTRUCTED OF ALUMINUM.  
 NOTE: MOTORS ARE BALDOR TEFC - UL & CSA APPROVED.



Series DMF Performance Graph for 1/2 HP & 1 HP Pressure Blowers



AIR CLEANING SPECIALISTS, INC.  
 11088 Gravois Industrial Ct. St. Louis MO 63128  
 866 455-2132 Fax 636 349-0556  
 www.fumeavent.com info@fumeavent.com

This drawing has been copyrighted  
 and is the property of  
 Air Cleaning Specialists, Inc.

## Fume-A-Vent Hose Reel Fan Mounting

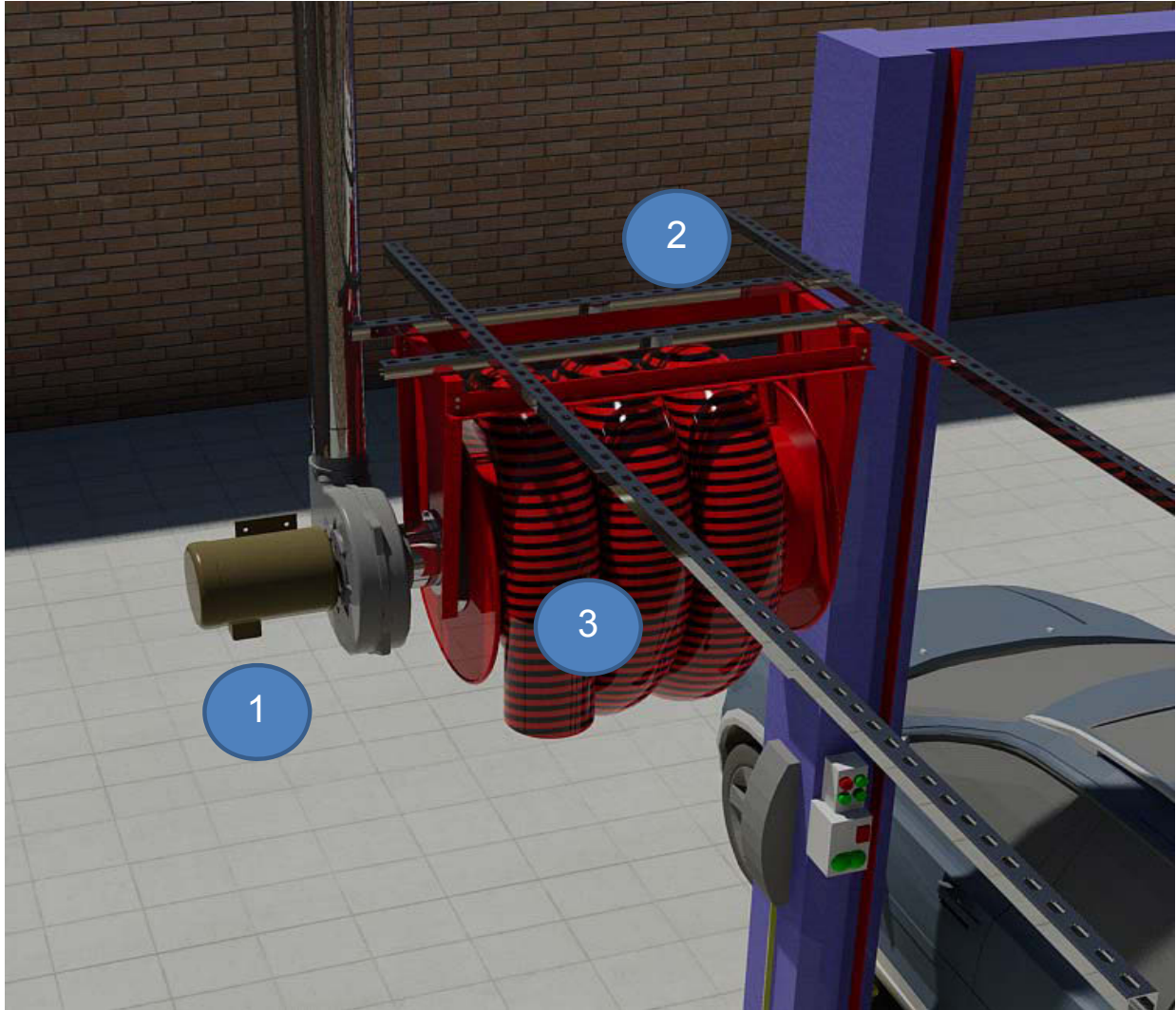
Date 7/12

Part No. HRX-X-XXXX

Direct Mounted Fans

TAB 12-B-4

This is a drawing of the typical mounting positions that our Fume-A-Vent Hose Reel Fans. They are mounted at the factory for easy installation. The Unistrut shown on the hose reel can be utilized effectively with the mounting holes or by other methods. Please consult one of our experts to decide the best mounting type for your application. All our hose reels can include a direct mount fan.



1. The Directly Mounted Hose Reel Fan, Mounted by the Factory.
2. Unistrut can be utilized to easily mount the hose reel.
3. Spring or Motorized Hose Reel with Exhaust hose.

Hose Reels are a heavy item that has pull/push force from the spring retention. Please make sure the hose reel is mounted in a secure, strong location. All Hose Reel Fans come with six (6) Inch connection to the hose reel itself and a six (6) Inch exhaust outlet.