

Fume-A-Vent Spring Operated Hose Reel

Date 4/12

Part No. HRS-X-XXXX

Hose Reels

TAB 3-B-2



Shown above: **Fume-A-Vent** Model HRS-3-0420 Spring Hose Reel with 4" x 20' Series 3 400° Rubber Impregnated Polyester Hose. Plus the optional TPA0303-SC Tailpipe Adapter, Oval Mouth Neoprene for 3" & 4" Neoprene Hose with Spring Clamp

The Reels are offered in standard 4", 5", 6" and 8" inch hose diameters. The Reels are supplied completely assembled and ready for installation. The Reels may be connected with ductwork to a central exhaust system or each reel may be supplied with a direct mount Fan.

Fume-A-Vent Hose Reels may be mounted in three positions: from an overhead support structure, from a side support structure or on the floor. Ceiling mounts are most common, however wall mounts and floor mounts are options when space is at a premium.

FUME-A-VENT
EXHAUST REMOVAL SYSTEMS
A Product of Air Cleaning Specialists, Inc.

AIR CLEANING SPECIALISTS, INC.
11088 Gravois Industrial Ct. St. Louis MO 63128
866 455-2132 Fax 636 349-0556
www.fumeavent.com info@fumeavent.com

This drawing has been copyrighted
and is the property of
Air Cleaning Specialists, Inc.

Fume-A-Vent Hose Reel Mounting

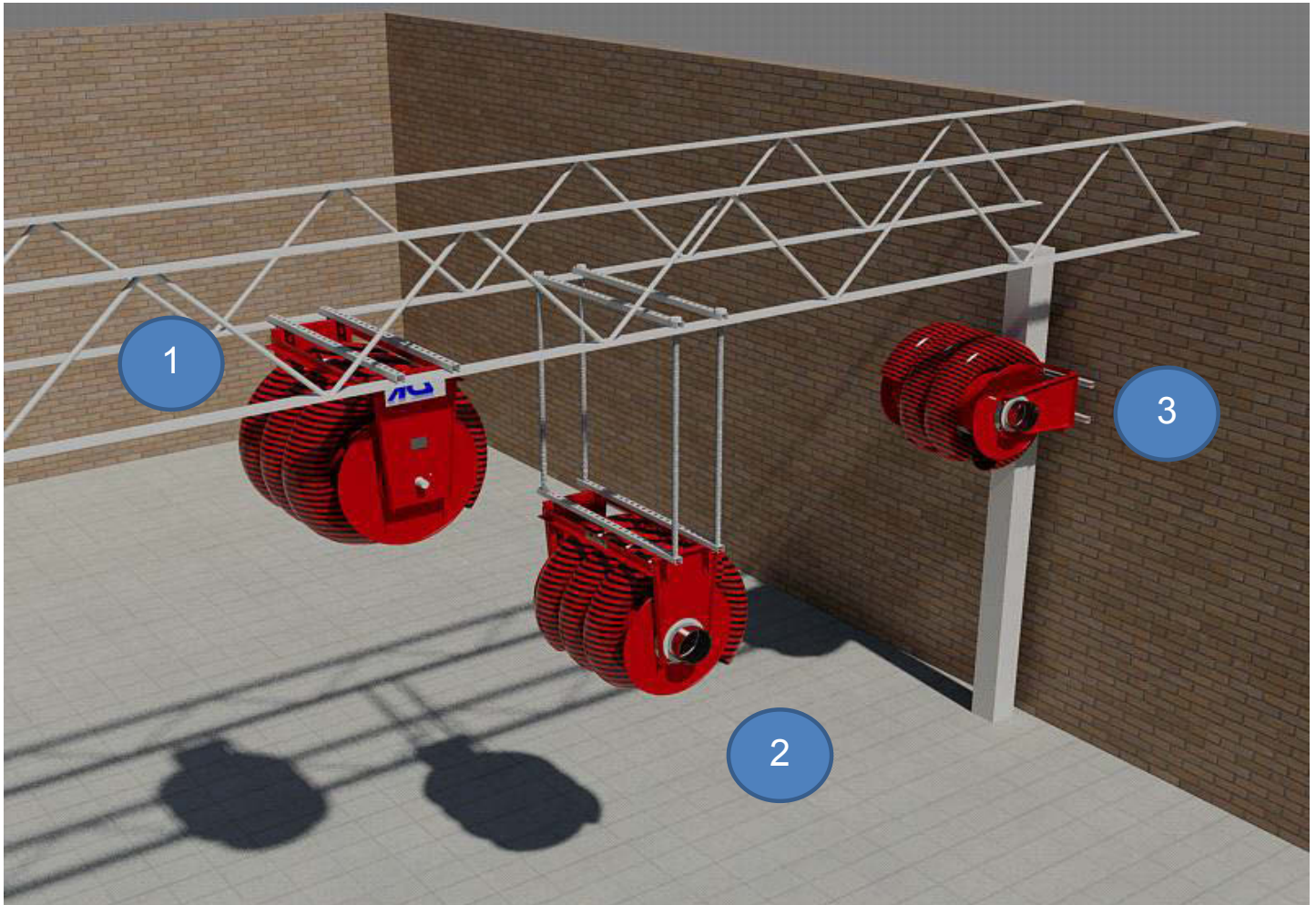
Date 7/12

Part No. HRX-X-XXXX

Hose Reels

TAB 3-B-5

This is a drawing of the typical mounting positions that our Fume-A-Vent Hose Reels are placed. They are easily installed with the four mounting holes that are 9/16" by 3/4" deep. Unistrut can be utilized effectively with the mounting holes or by other methods. Please consult one of our experts to decide the best mounting type for your application. Both Spring and Motorized Hose Reels have the same mounting options and



1. Ceiling mounting utilizing the Unistrut Steel Hangers.
2. Dropped down ceiling mount with Unistrut and 1/2" threaded rod for drop.
3. Wall mounted hose reel with Unistrut supports.

Installation Guides available upon request for most ceiling types including joist and concrete.

Hose Reels are a heavy item that has pull/push force from the spring retention. Please make sure the hose reel is mounted in a secure, strong location. Methods other than Unistrut and threaded rod are available.

Fume-A-Vent Type 3 400°F Polyester Impregnated Rubber Hose

Date 7/12

Part No. H-03-XXXX

Type 3 400°F Hose

TAB 1-C

The Fume-A-Vent Type 3 Hose ideal is for hose reels, overhead and underground fume extraction systems, plus welding, industrial use, light-duty material handling, and agricultural use. This hose features a low static pressure.

Temperature Range: -5°F to 350°F (Baking Test)

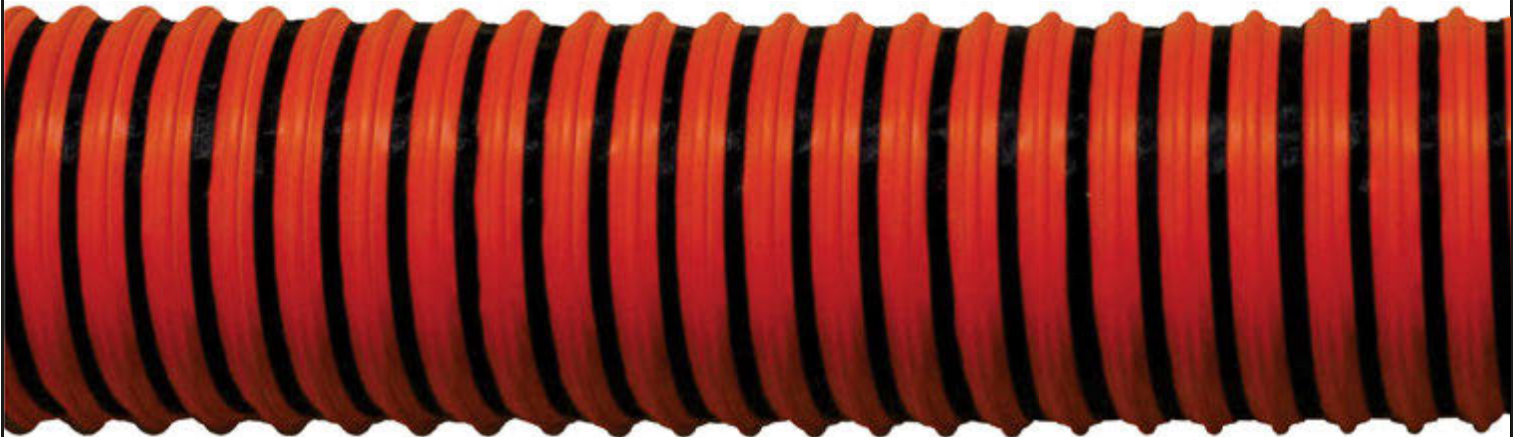
This product meets Flame retardant UL-94 VO and federal motor vehicle MVSS-302 test standards

The Temperature Rating has been tested to withstand up to 550°F (intermittent use) and 350°F continuous duty.

Both before and after heat testing, the Type 3 Hose tested for an identical rating of 497-pounds on the static pull/stress test.

It is made with high quality polyester impregnated rubber with fully enclosed wire helix. The method of manufacturing is a hot air welding process that does not use any type of adhesives/glues. The hose is manufactured with an additional outer wear strip for protection and longevity. It has good flexibility, good abrasion resistance, and low flow resistance. It is abrasion-resistant with strong characteristics against weather, oils and ozone.

Other information including wall thickness and helix pitch are available upon request. In some cases, a Fan and a Tailpipe Adaptor will be required. Common lengths and diameters shown in chart below.



| Part No | Description | Lbs. |
|-----------|--|------|
| H-03-0310 | Fume-A-Vent 3" x 10' Type 3 400°F Polyester Impregnated Rubber High Temperature Hose | 9 |
| H-03-0410 | Fume-A-Vent 4" x 10' Type 3 400°F Polyester Impregnated Rubber High Temperature Hose | 15 |
| H-03-0420 | Fume-A-Vent 4" x 20' Type 3 400°F Polyester Impregnated Rubber High Temperature Hose | 15 |
| H-03-0425 | Fume-A-Vent 4" x 25' Type 3 400°F Polyester Impregnated Rubber High Temperature Hose | 18 |
| H-03-0510 | Fume-A-Vent 5" x 10' Type 3 400°F Polyester Impregnated Rubber High Temperature Hose | 15 |
| H-03-0520 | Fume-A-Vent 5" x 20' Type 3 400°F Polyester Impregnated Rubber High Temperature Hose | 16 |
| H-03-0525 | Fume-A-Vent 5" x 25' Type 3 400°F Polyester Impregnated Rubber High Temperature Hose | 18 |
| H-03-0610 | Fume-A-Vent 6" x 10' Type 3 400°F Polyester Impregnated Rubber High Temperature Hose | 15 |
| H-03-0620 | Fume-A-Vent 6" x 20' Type 3 400°F Polyester Impregnated Rubber High Temperature Hose | 16 |
| H-03-0625 | Fume-A-Vent 6" x 25' Type 3 400°F Polyester Impregnated Rubber High Temperature Hose | 18 |
| H-03-0810 | Fume-A-Vent 8" x 10' Type 3 400°F Polyester Impregnated Rubber High Temperature Hose | 16 |
| H-03-0820 | Fume-A-Vent 8" x 20' Type 3 400°F Polyester Impregnated Rubber High Temperature Hose | 17 |
| H-03-0825 | Fume-A-Vent 8" x 25' Type 3 400°F Polyester Impregnated Rubber High Temperature Hose | 20 |



Air Cleaning
Specialists Inc.
11088 Gravois Ind. Ct.
St. Louis MO 63128
636-349-4400
636-349-0556 Fax

REVISIONS

| NO. | DESCRIPTION |
|-----|-------------|
| | |
| | |
| | |
| | |
| | |
| | |
| | |
| | |
| | |
| | |

SHEET NAME
1



DRAWING TITLE
HRS-3-0520

DRAWN: CODY BINGAMAN

CHECKED: JIM GRAYEM

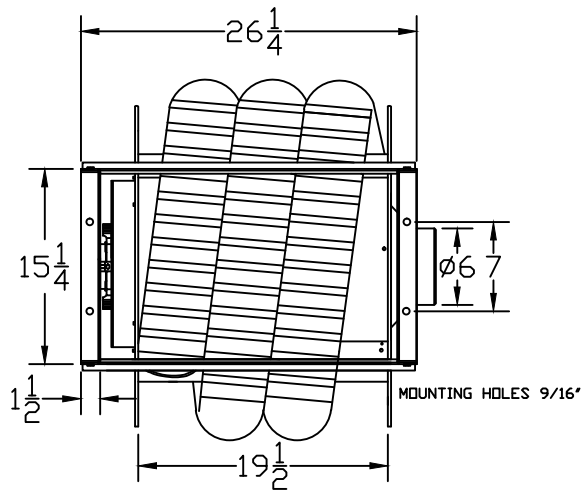
PROJECT NAME
HOSE REEL

| | |
|---------|-------|
| DATE | VIEW |
| 7/11/12 | ORTHO |

| | | |
|------|---------|------|
| SIZE | DWG NO. | REV. |
| A | 1 | 0 |

SCALE: 1:1 WEIGHT: 1 SHEET 1 OF 1

TOP VIEW



HOSE REEL
HRS-3-0520
5" 400° HOSE / 20' LENGTH

SIDE VIEW

